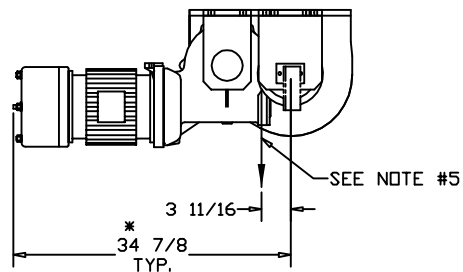
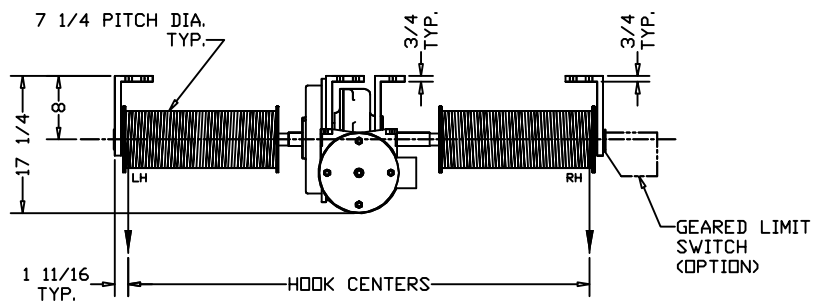
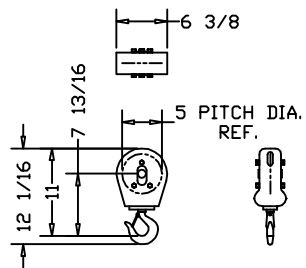


HOIST MOUNTING DETAIL HOLE LOCATIONS



\*ALLOW 6" CLEARANCE TO SERVICE BRAKE



M-1046-A HOOK BLOCK  
3000 LB. CAPACITY  
5" PITCH DIA.  
(2) SUPPLIED PER HOIST STD.  
SHIPPED LOOSE

CUSTOMER:

ELECTROLIFT AUTHORIZED DISTRIBUTOR:

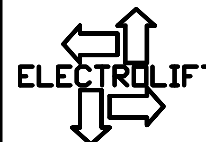
REFERENCE NO.:

CATALOG #

	245-OH	-	-	-
SPEED (FPM):	20	-	-	-
HP:	4	-	-	-
MAX. HOOK CENTERS (IN.): (SEE NOTE #4)	75	-	-	-
LIFT (FT.):	58			
CAPACITY (LBS):	4000			
PRIMARY VOLTAGE:	460 or 230 (3 PH. STD)			
CONTROL VOLTAGE:	115 (STD)			
HOIST WEIGHT (LBS):	1000			
REEVING:	2 PART SINGLE			

HOIST NOTES:

- STANDARD CONTROL BOX WILL BE SHIPPED LOOSE WITH HOIST, TO BE MOUNTED BY CUSTOMER.
- CONTROL BOX SIZE TO BE DETERMINED UPON CONTROLS SELECTION AT TIME OF ORDER.
- ALL ELECTRICAL CONNECTIONS BETWEEN HOIST AND CONTROL BOX TO BE COMPLETED BY CUSTOMER, UNLESS OTHERWISE SPECIFIED.
- FOR HOOK CENTERS LARGER THAN SPECIFIED MAXIMUM VALUE (SEE ABOVE), CONTACT ELECTROLIFT.
- WIRE ROPE CAN PAY OFF OPPOSITE SIDE OF DRUM, IF SPECIFIED.
- FOR SINGLE LINE APPLICATIONS, SPEED AND LIFT WILL BE TWICE THE SPECIFIED VALUE AND THE CAPACITY WILL BE HALF THE SPECIFIED VALUE.
- WIRE ROPE DEAD ENDING TO BE PROVIDED BY CUSTOMER



ELECTROLIFT, INC.  
204 SARGEANT AVE.  
CLIFTON, NJ 07013  
PH: 973-471-0204  
FAX: 973-471-2814  
www.electrolift.com

REV. ECO# DATE BY:

HOIST TYPE: "BC-4P" TWIN HOOK

CONFIGURATION: OVERHEAD MOUNTED

DATE: 8/30/04 SCALE: 1:16 DWG SIZE: B DRAWN BY: AR

CATALOG NO.: 245-OH DRAWING NO.: BC-155