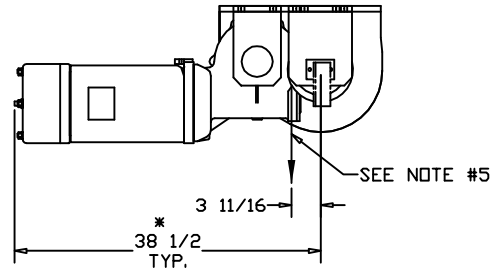
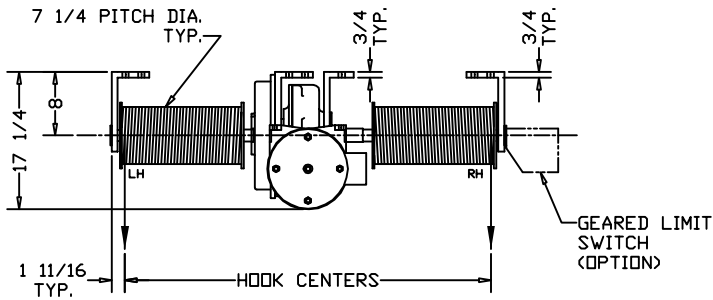
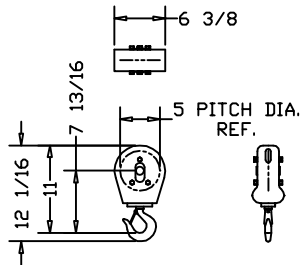


HOIST MOUNTING DETAIL  
HOLE LOCATIONS



\*ALLOW 6" CLEARANCE TO SERVICE BRAKE



M-1046-A HOOK BLOCK  
3000 LB. CAPACITY  
5" PITCH DIA.  
(2) SUPPLIED PER HOIST STD.  
SHIPPED LOOSE

CUSTOMER:

ELECTROLIFT AUTHORIZED DISTRIBUTOR:

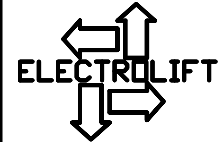
REFERENCE NO.:

CATALOG #

	285-OH	-	-	-
SPEED (FPM):	20	-	-	-
HP:	6-1/2	-	-	-
MAX. HOOK CENTERS (IN.): (SEE NOTE #4)	46	-	-	-
LIFT (FT.):	40			
CAPACITY (LBS):	6000			
PRIMARY VOLTAGE:	460 or 230 (3 PH. STD)			
CONTROL VOLTAGE:	115 (STD)			
HOIST WEIGHT (LBS):	1000			
REEVING:	2 PART SINGLE			

HOIST NOTES:

1. STANDARD CONTROL BOX WILL BE SHIPPED LOOSE WITH HOIST, TO BE MOUNTED BY CUSTOMER.
2. CONTROL BOX SIZE TO BE DETERMINED UPON CONTROLS SELECTION AT TIME OF ORDER.
3. ALL ELECTRICAL CONNECTIONS BETWEEN HOIST AND CONTROL BOX TO BE COMPLETED BY CUSTOMER, UNLESS OTHERWISE SPECIFIED.
4. FOR HOOK CENTERS LARGER THAN SPECIFIED MAXIMUM VALUE (SEE ABOVE), CONTACT ELECTROLIFT.
5. WIRE ROPE CAN PAY OFF OPPOSITE SIDE OF DRUM, IF SPECIFIED.
6. FOR SINGLE LINE APPLICATIONS, SPEED AND LIFT WILL BE TWICE THE SPECIFIED VALUE AND THE CAPACITY WILL BE HALF THE SPECIFIED VALUE.
7. WIRE ROPE DEAD ENDING TO BE PROVIDED BY CUSTOMER



ELECTROLIFT, INC.  
204 SARGEANT AVE.  
CLIFTON, NJ 07013  
PH: 973-471-0204  
FAX: 973-471-2814  
www.electrolift.com

REV. ECO# DATE BY:

HOIST TYPE: "BC-4P" TWIN HOOK

CONFIGURATION: OVERHEAD MOUNTED

DATE: 8/30/04	SCALE: 1:16	DWG SIZE: B	DRAWN BY: AR
------------------	----------------	----------------	-----------------

CATALOG NO.:	DRAWING NO.:
285-OH	BC-160