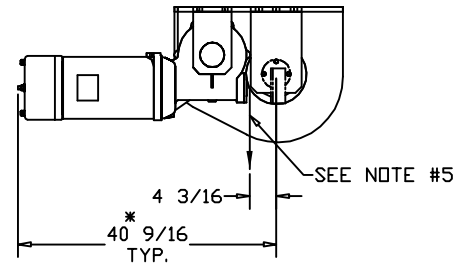
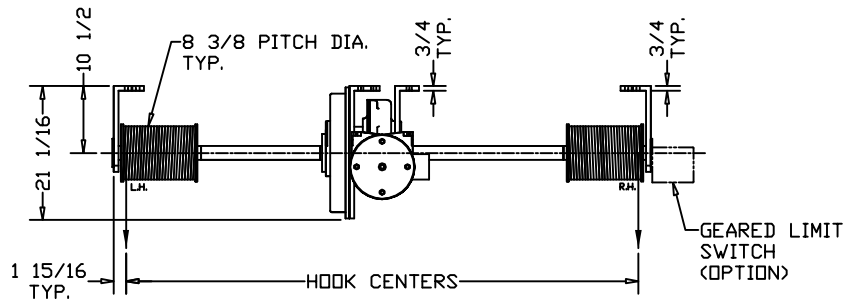
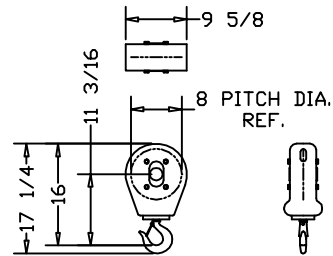


HOIST MOUNTING DETAIL HOLE LOCATIONS

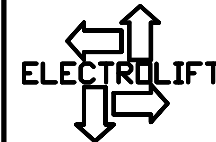


\*ALLOW 6" CLEARANCE TO SERVICE BRAKE



M-2538-A HOOK BLOCK  
6000 LB. CAPACITY  
8" PITCH DIA.  
(2) SUPPLIED PER HOIST STD.  
SHIPPED LOOSE

	CATALOG #		
		291-OH	-
SPEED (FPM):	15	-	-
HP:	6-1/2	-	-
MAX. HOOK CENTERS (IN.): (SEE NOTE #4)	120	-	-
LIFT (FT.):	20		
CAPACITY (LBS):	8000		
PRIMARY VOLTAGE:	460 or 230 (3 PH. STD)		
CONTROL VOLTAGE:	115 (STD)		
HOIST WEIGHT (LBS):	1300		
REEVING:	2 PART SINGLE		
HOIST NOTES:	<ol style="list-style-type: none"> <li>STANDARD CONTROL BOX WILL BE SHIPPED LOOSE WITH HOIST, TO BE MOUNTED BY CUSTOMER.</li> <li>CONTROL BOX SIZE TO BE DETERMINED UPON CONTROLS SELECTION AT TIME OF ORDER.</li> <li>ALL ELECTRICAL CONNECTIONS BETWEEN HOIST AND CONTROL BOX TO BE COMPLETED BY CUSTOMER, UNLESS OTHERWISE SPECIFIED.</li> <li>FOR HOOK CENTERS LARGER THAN SPECIFIED MAXIMUM VALUE (SEE ABOVE), CONTACT ELECTROLIFT.</li> <li>WIRE ROPE CAN PAY OFF OPPOSITE SIDE OF DRUM, IF SPECIFIED.</li> <li>FOR SINGLE LINE APPLICATIONS, SPEED AND LIFT WILL BE TWICE THE SPECIFIED VALUE AND THE CAPACITY WILL BE HALF THE SPECIFIED VALUE.</li> <li>WIRE ROPE DEAD ENDING TO BE PROVIDED BY CUSTOMER</li> </ol>		



ELECTROLIFT, INC.  
204 SARGEANT AVE.  
CLIFTON, NJ 07013  
PH: 973-471-0204  
FAX: 973-471-2814  
www.electrolift.com

REV.	ECO#	DATE	BY:
HOIST TYPE: "BC-3P" TWIN HOOK			
CONFIGURATION: OVERHEAD MOUNTED			
DATE: 8/31/04	SCALE: 1:20	DWG SIZE: B	DRAWN BY: AR
CATALOG NO.: 291-OH		DRAWING NO.: BC-163	

CUSTOMER:  
  
REFERENCE NO.:

ELECTROLIFT AUTHORIZED DISTRIBUTOR: