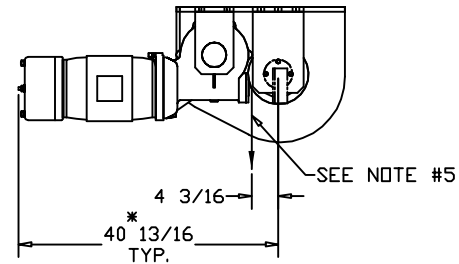
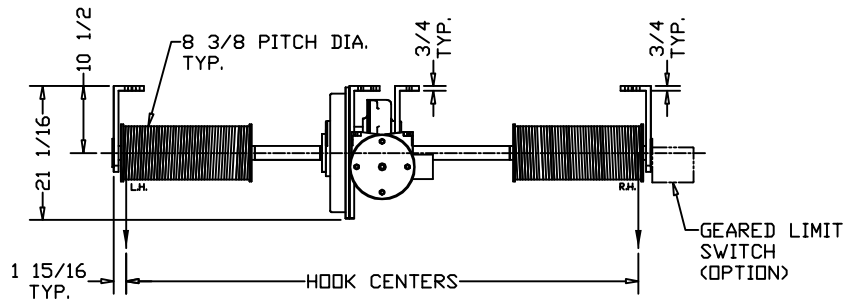
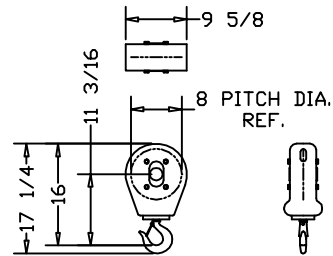


HOIST MOUNTING DETAIL HOLE LOCATIONS



*ALLOW 6" CLEARANCE TO SERVICE BRAKE



M-2538-A HOOK BLOCK
6000 LB. CAPACITY
8" PITCH DIA.
(2) SUPPLIED PER HOIST STD.
SHIPPED LOOSE

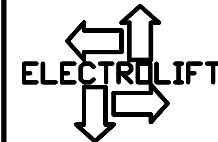
CUSTOMER:

ELECTROLIFT AUTHORIZED DISTRIBUTOR:

REFERENCE NO.:

CATALOG #

	294-OH	-	-	-
SPEED (FPM):	15	-	-	-
HP:	7-1/2	-	-	-
MAX. HOOK CENTERS (IN.): (SEE NOTE #4)	82	-	-	-
LIFT (FT.):	40			
CAPACITY (LBS):	10000			
PRIMARY VOLTAGE:	460 or 230 (3 PH. STD)			
CONTROL VOLTAGE:	115 (STD)			
HOIST WEIGHT (LBS):	1450			
REEVING:	2 PART SINGLE			
HOIST NOTES:	<ol style="list-style-type: none"> STANDARD CONTROL BOX WILL BE SHIPPED LOOSE WITH HOIST, TO BE MOUNTED BY CUSTOMER. CONTROL BOX SIZE TO BE DETERMINED UPON CONTROLS SELECTION AT TIME OF ORDER. ALL ELECTRICAL CONNECTIONS BETWEEN HOIST AND CONTROL BOX TO BE COMPLETED BY CUSTOMER, UNLESS OTHERWISE SPECIFIED. FOR HOOK CENTERS LARGER THAN SPECIFIED MAXIMUM VALUE (SEE ABOVE), CONTACT ELECTROLIFT. WIRE ROPE CAN PAY OFF OPPOSITE SIDE OF DRUM, IF SPECIFIED. FOR SINGLE LINE APPLICATIONS, SPEED AND LIFT WILL BE TWICE THE SPECIFIED VALUE AND THE CAPACITY WILL BE HALF THE SPECIFIED VALUE. WIRE ROPE DEAD ENDING TO BE PROVIDED BY CUSTOMER 			



ELECTROLIFT, INC.
204 SARGEANT AVE.
CLIFTON, NJ 07013
PH: 973-471-0204
FAX: 973-471-2814
www.electrolift.com

REV.	ECO#	DATE	BY:
HOIST TYPE:	"BC-3P" TWIN HOOK		
CONFIGURATION:	OVERHEAD MOUNTED		
DATE:	SCALE:	DWG SIZE:	DRAWN BY:
8/31/04	1:20	B	AR
CATALOG NO.:	DRAWING NO.:		
294-OH	BC-169		