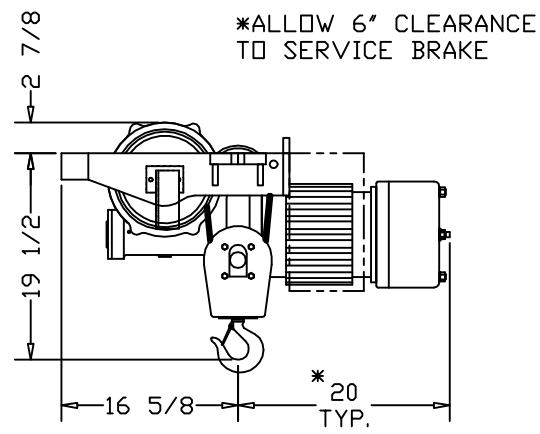
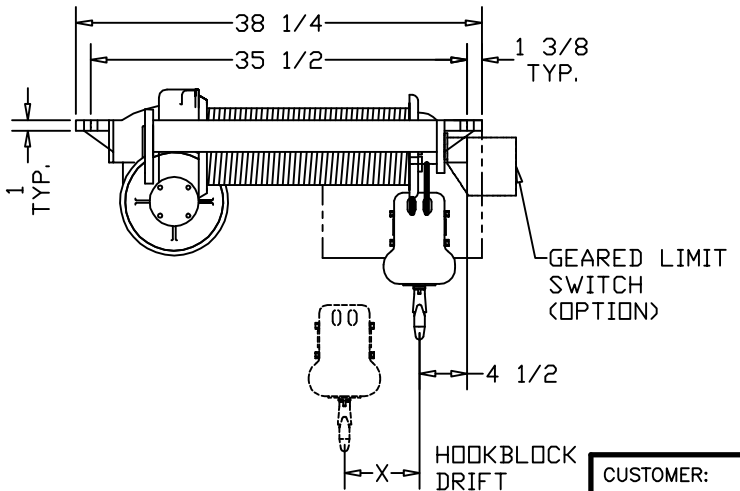


HOLE FOR 1-1/4 DIA. BOLT



	CATALOG #			
	36-LG	-	-	-
SPEED (FPM):	20	-	-	-
LIFT (FT):	29	-	-	-
CAPACITY (LBS):	4000 LBS			
REEVING:	4 PART SINGLE			
PRIMARY VOLTAGE:	460 or 230 (3 PH. STD)			
CONTROL VOLTAGE:	115 (STD)			
HOIST WEIGHT (LBS):	550			
HP:	4			
PIN LOADINGS (LBS):				
FULL UP		FULL DOWN		
LEFT SIDE	RIGHT SIDE	LEFT SIDE	RIGHT SIDE	
863	3687	1399	3151	
HOOKBLOCK DRIFT AT FULL DOWN POSITION (IN.) (X): 4-3/4				
HOIST NOTES: -LARGER CONTROL BOXES MAY NEED TO BE RELOCATED				

ELECTROLIFT, INC.
 204 SARGEANT AVE.
 CLIFTON, NJ 07013
 PH: 973-471-0204
 FAX: 973-471-2814
www.electrolift.com

REV.	ECO#	DATE	BY:

HOIST TYPE: "B" SINGLE HOOK

CONFIGURATION: LUG MOUNTED

CUSTOMER:	ELECTROLIFT AUTHORIZED DISTRIBUTOR:			
REFERENCE NO.:	DATE:	SCALE:	DWG SIZE:	DRAWN BY:
	6/15/04	1:12	B	AR
	CATALOG NO.:	DRAWING NO.:		
	36-LG	B-114		