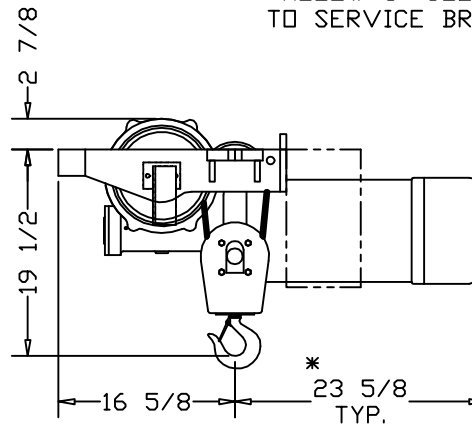
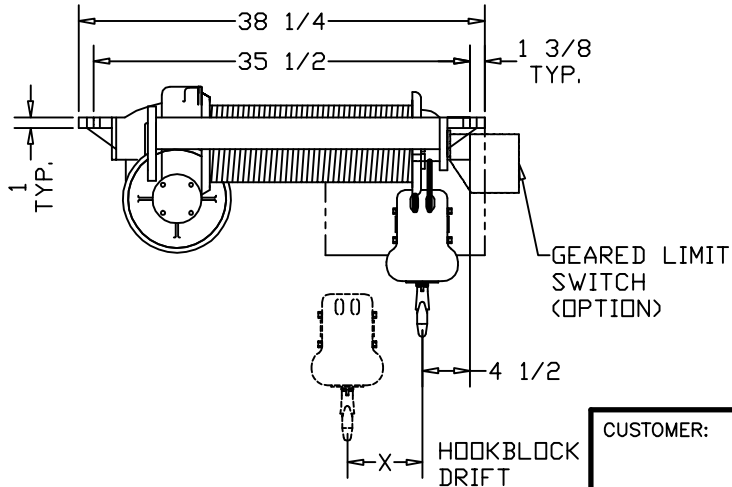


HOLE FOR  
1-1/4 DIA. BOLT

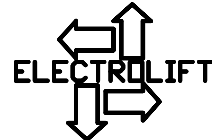


\*ALLOW 6" CLEARANCE  
TO SERVICE BRAKE

CUSTOMER:  
  
REFERENCE NO.:

ELECTROLIFT AUTHORIZED DISTRIBUTOR:

	CATALOG #			
	39-LG	-	-	-
SPEED (FPM):	25	-	-	-
LIFT (FT):	25	-	-	-
CAPACITY (LBS):	4000 LBS			
REEVING:	4 PART SINGLE			
PRIMARY VOLTAGE:	460 or 230 (3 PH. STD)			
CONTROL VOLTAGE:	115 (STD)			
HOIST WEIGHT (LBS):	550			
HP:	6-1/2			
PIN LOADINGS (LBS):				
FULL UP		FULL DOWN		
LEFT SIDE	RIGHT SIDE	LEFT SIDE	RIGHT SIDE	
863	3687	1399	3151	
HOOKBLOCK DRIFT AT FULL DOWN POSITION (IN.) (X): 4-3/4				
HOIST NOTES: -LARGER CONTROL BOXES MAY NEED TO BE RELOCATED				



ELECTROLIFT, INC.  
204 SARGEANT AVE.  
CLIFTON, NJ 07013  
PH: 973-471-0204  
FAX: 973-471-2814  
www.electrolift.com

REV.	ECO#	DATE	BY:	
HOIST TYPE: "B" SINGLE HOOK				
CONFIGURATION: LUG MOUNTED				
DATE:	SCALE:	DWG SIZE:	DRAWN BY:	
6/15/04	1:12	B	AR	
CATALOG NO.:		DRAWING NO.:		
39-LG		B-115		