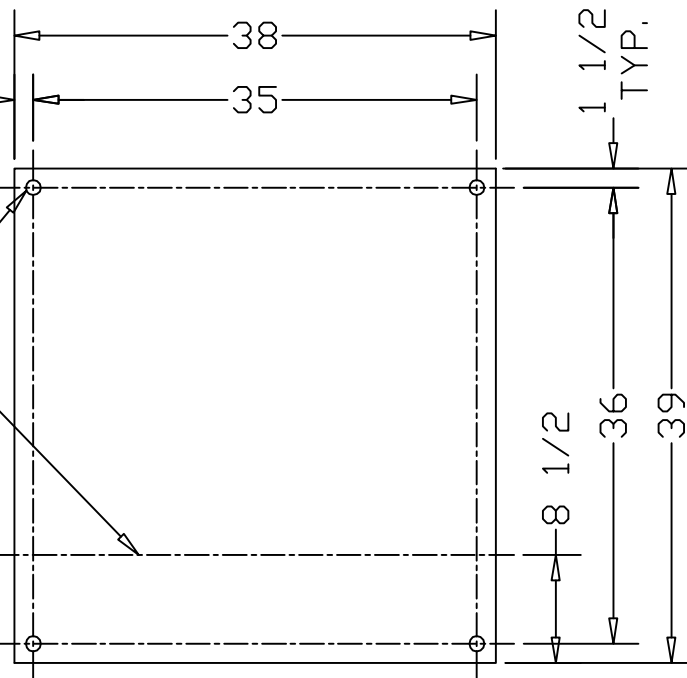


1 3/16 DIA. HOLES  
(4) PLACES

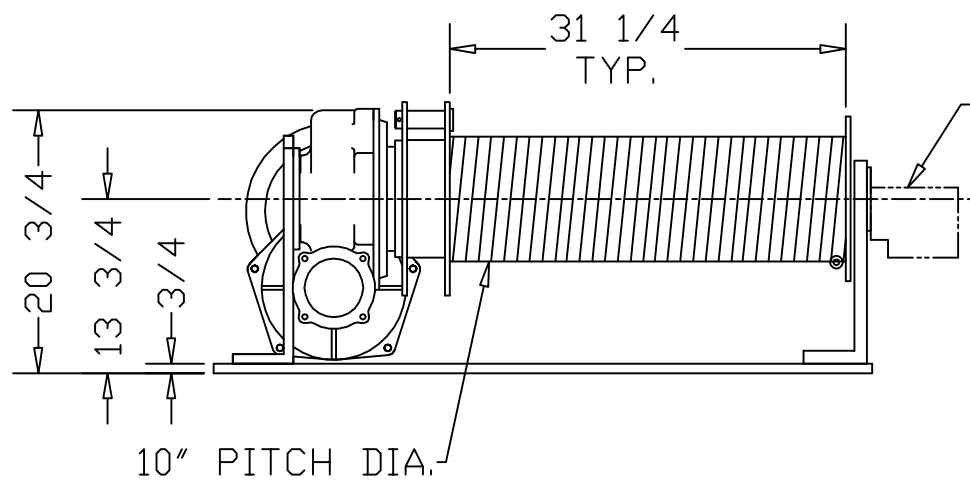
CENTERLINE OF  
DRUMSHAFT

SEE NOTE #4

1 1/2  
TYP.

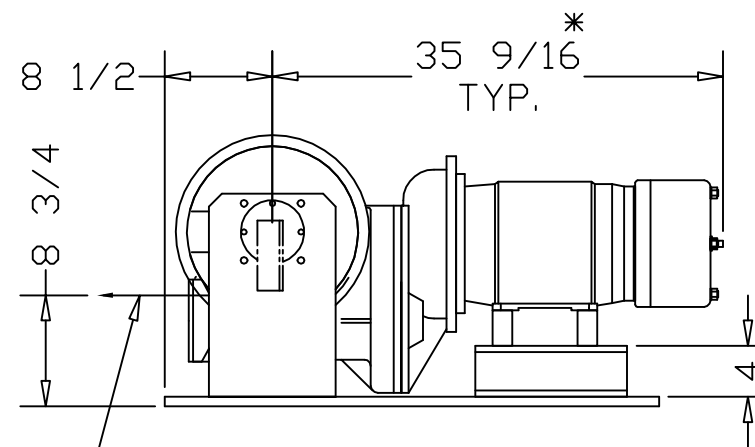


HOIST MOUNTING DETAIL  
HOLE LOCATIONS



GEARED LIMIT  
SWITCH  
(OPTION)

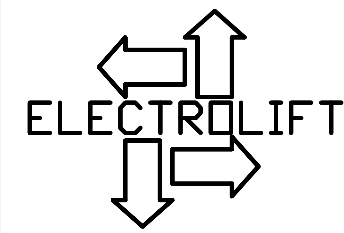
\*ALLOW 6" CLEARANCE  
TO SERVICE BRAKE



SEE NOTE #4

	CATALOG #			
	642-BM	-	-	-
SPEED (FPM):	50	-	-	-
LIFT (FT):	127	-	-	-
HP:	10	-	-	-
CAPACITY (LBS):	4000 LBS			
REEVING:	1 PART SINGLE			
PRIMARY VOLTAGE:	460 or 230 (3 PH. STD)			
CONTROL VOLTAGE:	115 (STD)			
HOIST WEIGHT (LBS):	1500			

- HOIST NOTES:
1. STANDARD CONTROL BOX WILL BE SHIPPED LOOSE WITH HOIST, TO BE MOUNTED BY CUSTOMER.
  2. CONTROL BOX SIZE TO BE DETERMINED UPON CONTROLS SELECTION AT TIME OF ORDER.
  3. ALL ELECTRICAL CONNECTIONS BETWEEN HOIST AND CONTROL BOX TO BE COMPLETED BY CUSTOMER, UNLESS OTHERWISE SPECIFIED.
  4. WIRE ROPE CAN PAY OFF OPPOSITE SIDE OF DRUM, IF SPECIFIED.
  5. HOIST LINE SPEEDS ARE FOR PULLING APPLICATIONS ONLY. SLOWER SPEEDS ARE AVAILABLE FOR LIFTING APPLICATIONS.
  6. IF HOIST IS NOT TO BE FLOOR MOUNTED AS SHOWN, NOTIFY DISTRIBUTOR WHEN PLACING ORDER.



ELECTROLIFT, INC.  
204 SARGEANT AVE.  
CLIFTON, NJ 07013  
PH: 973-471-0204  
FAX: 973-471-2814  
www.electrolift.com

1		7/3/13	AR
REV.	ECO#	DATE	BY:

HOIST TYPE: "D" SINGLE HOOK

CONFIGURATION: BASE MOUNTED

CUSTOMER:	ELECTROLIFT AUTHORIZED DISTRIBUTOR:	DATE:	SCALE:	DWG SIZE:	DRAWN BY:
REFERENCE NO.:		9/29/04	1:16	B	AR
		CATALOG NO.:	DRAWING NO.:		
		642-BM	D-140		