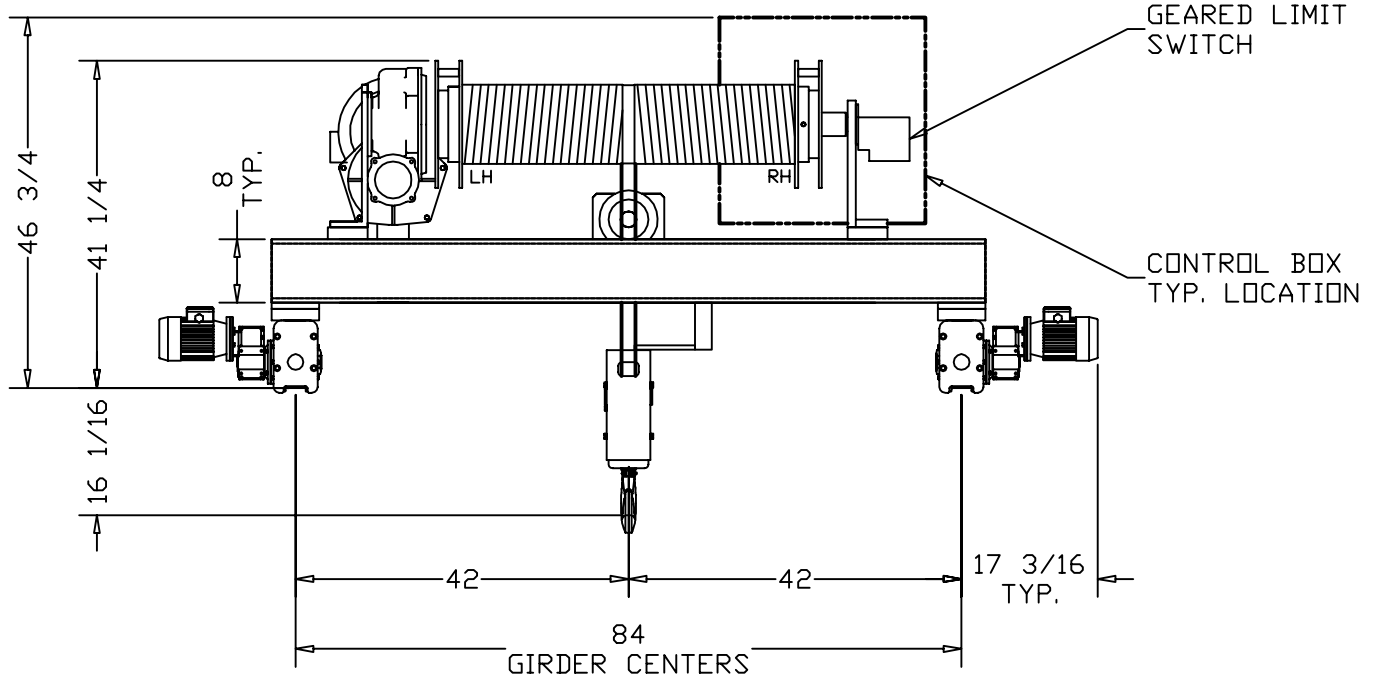


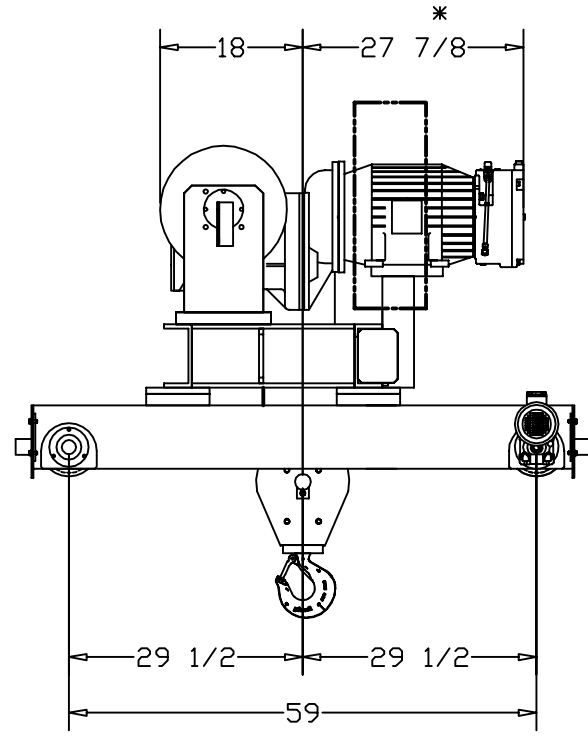
CENTERLINE OF HOOK BLOCK

*ALLOW 6" CLEARANCE TO SERVICE BRAKE



GEARED LIMIT SWITCH

CONTROL BOX TYP. LOCATION

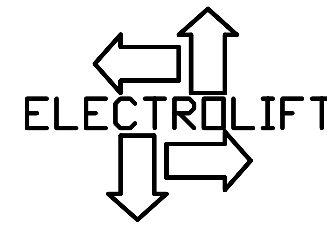


CATALOG #	SPEED (FPM):	LIFT (FT):
D5T2050	20	50
-	-	-
-	-	-
-	-	-
-	-	-

CAPACITY (LBS): 10,000 LBS
 REEVING: 2 PART DOUBLE
 PRIMARY VOLTAGE: 460 or 230 (3 PH. STD)
 CONTROL VOLTAGE: 115 (STD)
 HOIST WEIGHT (LBS): 4250
 HP: 10 HP

WHEEL LOADINGS (LBS PER WHEEL):			
LEFT SIDE		RIGHT SIDE	
DRIVE	IDLER	DRIVE	IDLER
3703	3663	3443	3443

HOIST NOTES:
 1. SPECIFIC CONTROL BOX LOCATION WILL BE DEFINED UPON CONTROLS SELECTION AND APPLICATION SPECIFIC CLEARANCE ISSUES
 2. CHANNEL SIZE MAY INCREASE AS GIRDER CENTERS BECOME LARGER



ELECTROLIFT, INC.
 204 SARGEANT AVE.
 CLIFTON, NJ 07013
 PH: 973-471-0204
 FAX: 973-471-2814
 www.electrolift.com

REV.	ECO#	DATE	BY:

HOIST TYPE: 'D' SINGLE HOOK

CONFIGURATION: TOP RUNNING

CUSTOMER:

 REFERENCE NO.:

ELECTROLIFT AUTHORIZED DISTRIBUTOR:

DATE:	SCALE:	DWG SIZE:	DRAWN BY:
4/19/13	1/25	B	AR

CATALOG NO.:	DRAWING NO.:
D5T2050	TR-101