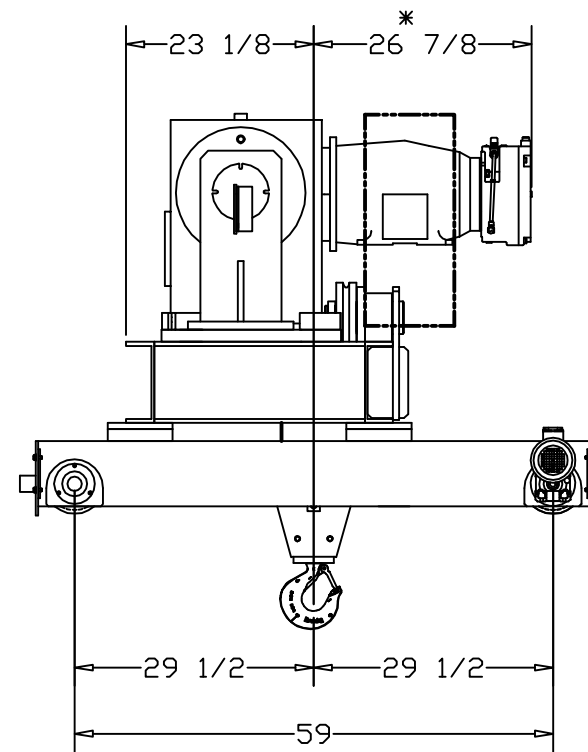
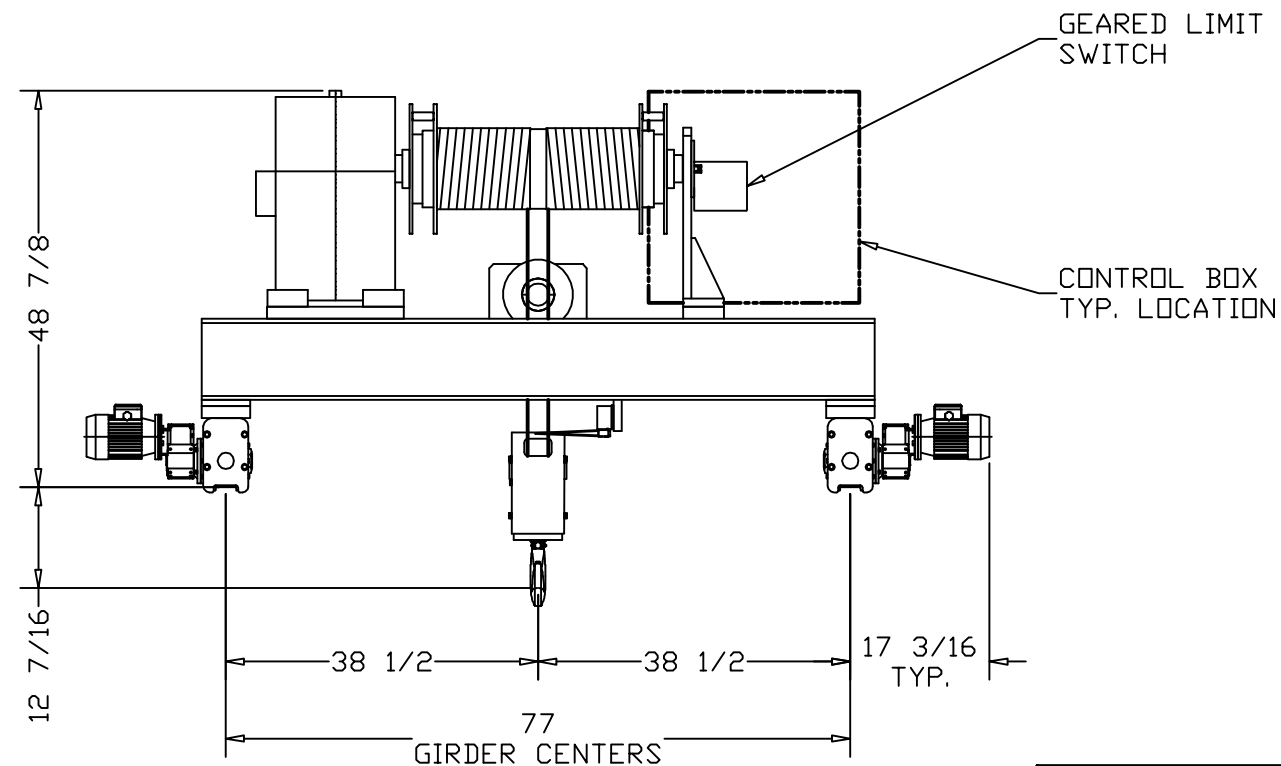


*ALLOW 6" CLEARANCE TO SERVICE BRAKE



CATALOG #	SPEED (FPM):	LIFT (FT):
CD5T3025	30	25
-	-	-
-	-	-
-	-	-
-	-	-
-	-	-

CAPACITY (LBS):	10,000 LBS
REEVING:	2 PART DOUBLE
PRIMARY VOLTAGE:	460 or 230 (3 PH. STD)
CONTROL VOLTAGE:	115 (STD)
HOIST WEIGHT (LBS):	4300
HP:	15 HP

WHEEL LOADINGS (LBS PER WHEEL):			
LEFT SIDE			
DRIVE	IDLER	DRIVE	IDLER
3818	3738	3373	3373

HOIST NOTES:

- SPECIFIC CONTROL BOX LOCATION WILL BE DEFINED UPON CONTROLS SELECTION AND APPLICATION SPECIFIC CLEARANCE ISSUES
- CHANNEL SIZE MAY INCREASE AS GIRDER CENTERS BECOME LARGER

ELECTROLIFT, INC.
204 SARGEANT AVE.
CLIFTON, NJ 07013
PH: 973-471-0204
FAX: 973-471-2814
www.electrolift.com

--	--	--	--

REV.	ECO#	DATE	BY:

HOIST TYPE: 'CD' SINGLE HOOK

CONFIGURATION: TOP RUNNING

CUSTOMER:

REFERENCE NO.:

ELECTROLIFT AUTHORIZED DISTRIBUTOR:

DATE:	SCALE:	DWG SIZE:	DRAWN BY:
5/29/13	1/25	B	AR

CATALOG NO.:	DRAWING NO.:
CD5T3025	TR-102