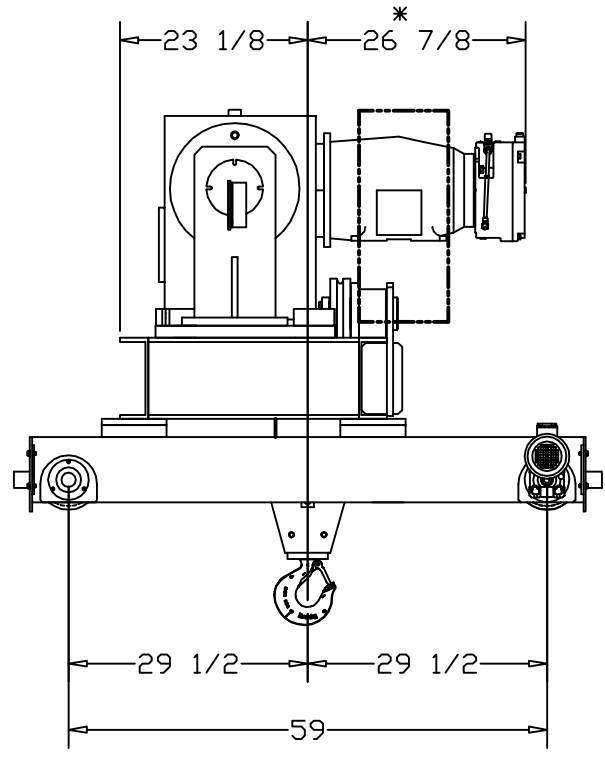
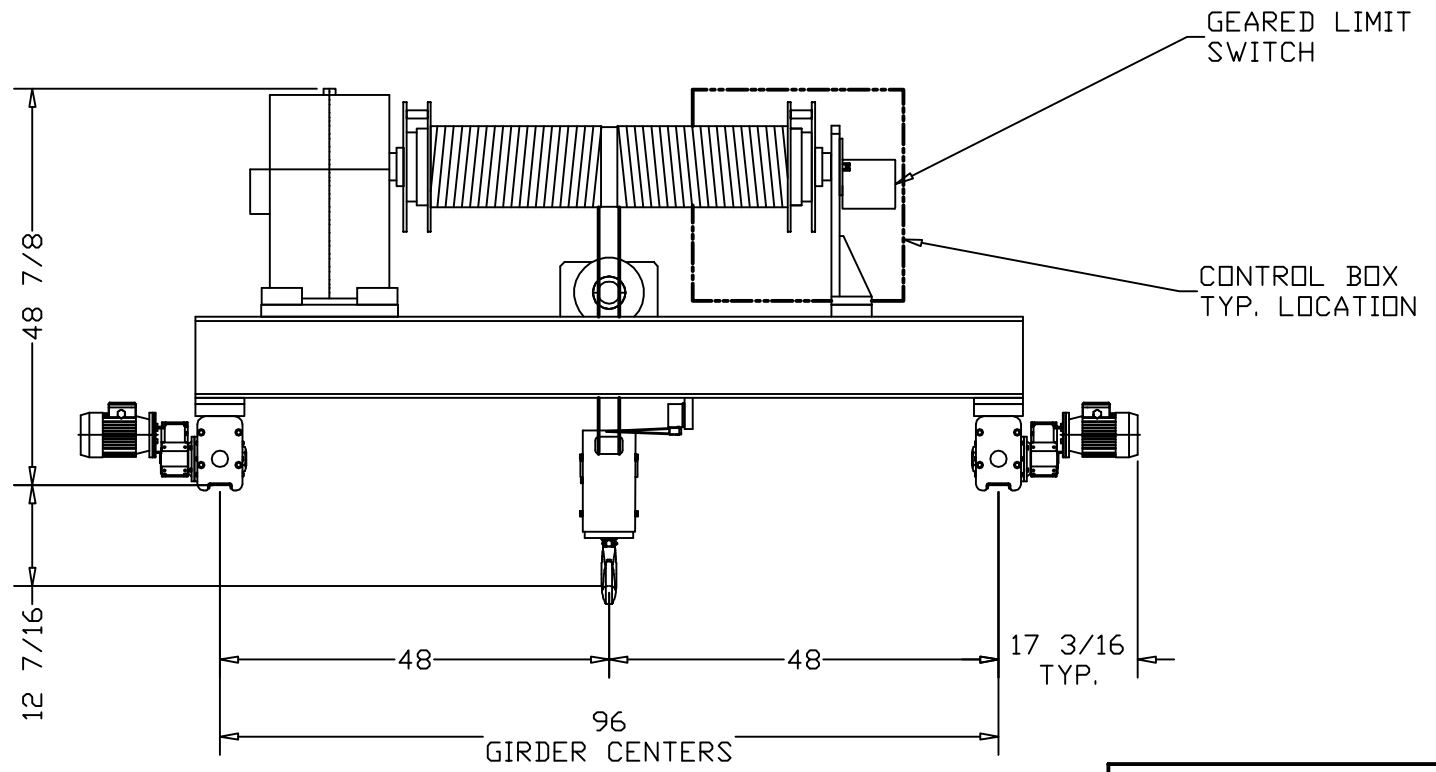


*ALLOW 6" CLEARANCE TO SERVICE BRAKE



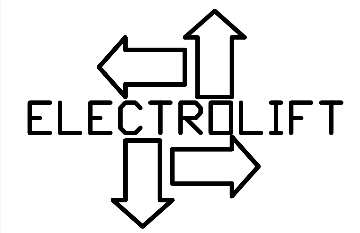
CATALOG #	SPEED (FPM):	LIFT (FT):
CD5T3050	30	50
-	-	-
-	-	-
-	-	-
-	-	-
-	-	-

CAPACITY (LBS): 10,000 LBS
 REEVING: 2 PART DOUBLE
 PRIMARY VOLTAGE: 460 or 230 (3 PH. STD)
 CONTROL VOLTAGE: 115 (STD)
 HOIST WEIGHT (LBS): 4500
 HP: 15 HP

WHEEL LOADINGS (LBS PER WHEEL):

LEFT SIDE			
DRIVE	IDLER	DRIVE	IDLER
3868	3788	3423	3423

HOIST NOTES:
 1. SPECIFIC CONTROL BOX LOCATION WILL BE DEFINED UPON CONTROLS SELECTION AND APPLICATION SPECIFIC CLEARANCE ISSUES
 2. CHANNEL SIZE MAY INCREASE AS GIRDER CENTERS BECOME LARGER



ELECTROLIFT, INC.
 204 SARGEANT AVE.
 CLIFTON, NJ 07013
 PH: 973-471-0204
 FAX: 973-471-2814
 www.electrolift.com

REV.	ECO#	DATE	BY:

HOIST TYPE: 'CD' SINGLE HOOK

CONFIGURATION: TOP RUNNING

CUSTOMER:

REFERENCE NO.:

ELECTROLIFT AUTHORIZED DISTRIBUTOR:

DATE:	SCALE:	DWG SIZE:	DRAWN BY:
5/29/13	1/25	B	AR

CATALOG NO.:	DRAWING NO.:
CD5T3050	TR-103