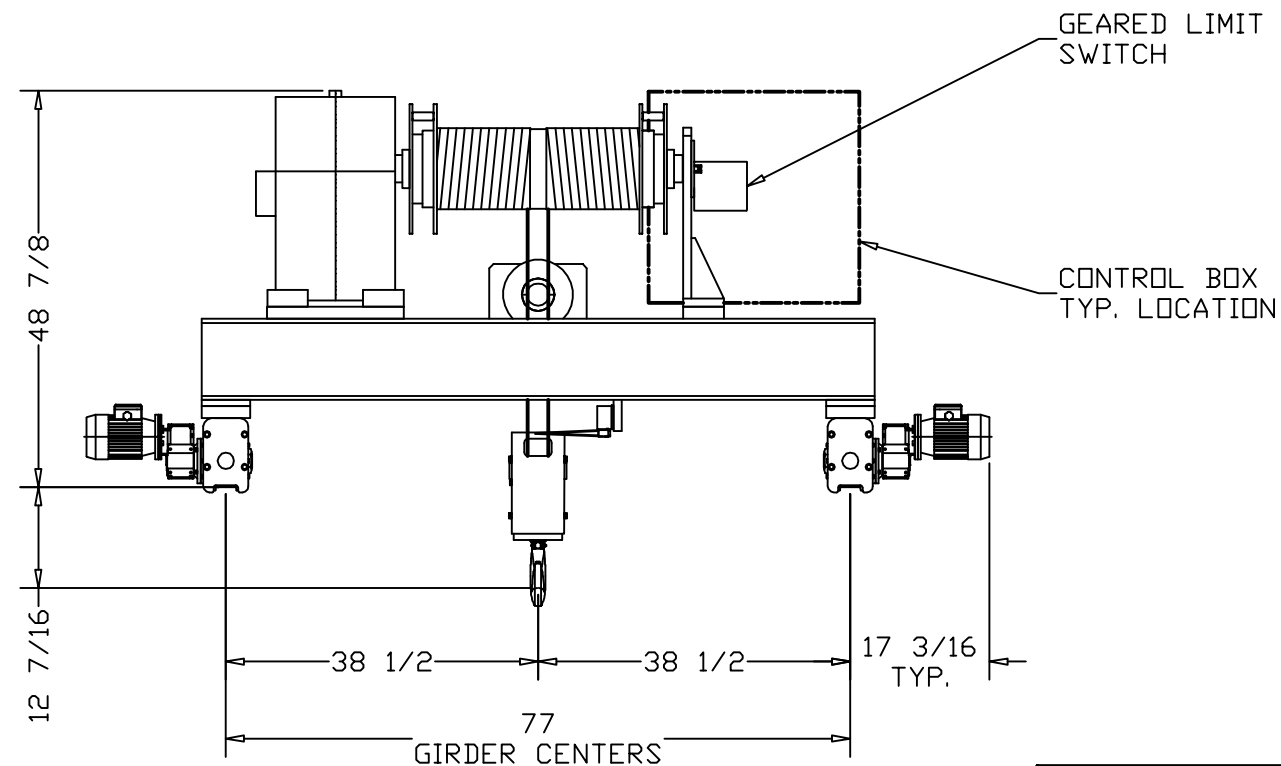


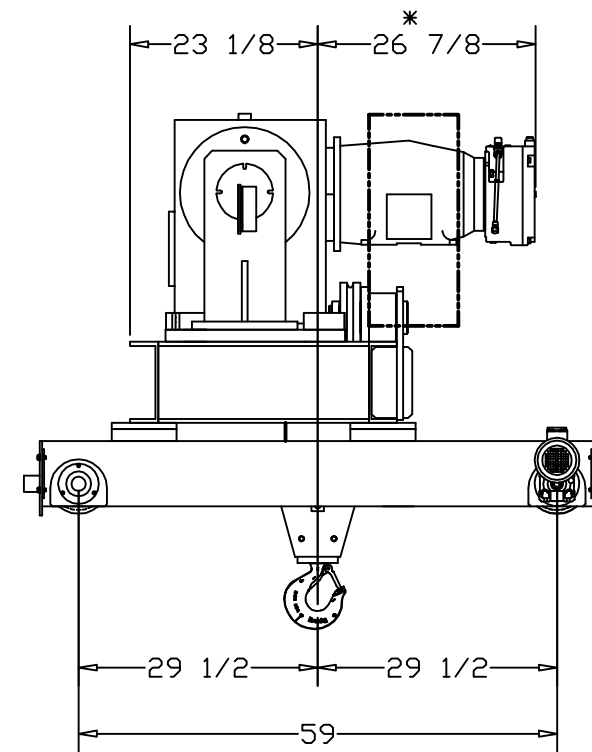
CENTERLINE OF HOOK BLOCK

\*ALLOW 6" CLEARANCE TO SERVICE BRAKE



GEARED LIMIT SWITCH

CONTROL BOX TYP. LOCATION

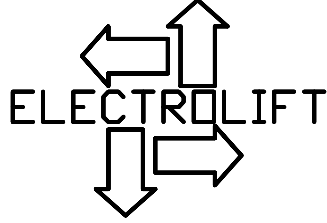


CATALOG #	SPEED (FPM):	LIFT (FT):
CD7.5T1825	18	25
-	-	-
-	-	-
-	-	-
-	-	-
-	-	-

CAPACITY (LBS):	15,000 LBS
REEVING:	2 PART DOUBLE
PRIMARY VOLTAGE:	460 or 230 (3 PH. STD)
CONTROL VOLTAGE:	115 (STD)
HOIST WEIGHT (LBS):	4300
HP:	15 HP

WHEEL LOADINGS (LBS PER WHEEL):			
LEFT SIDE		RIGHT SIDE	
DRIVE	IDLER	DRIVE	IDLER
5068	4988	4623	4623

HOIST NOTES:  
 1. SPECIFIC CONTROL BOX LOCATION WILL BE DEFINED UPON CONTROLS SELECTION AND APPLICATION SPECIFIC CLEARANCE ISSUES  
 2. CHANNEL SIZE MAY INCREASE AS GIRDER CENTERS BECOME LARGER



ELECTROLIFT, INC.  
 204 SARGEANT AVE.  
 CLIFTON, NJ 07013  
 PH: 973-471-0204  
 FAX: 973-471-2814  
 www.electrolift.com


REV.	ECO#	DATE	BY:

HOIST TYPE: 'CD' SINGLE HOOK  
 CONFIGURATION: TOP RUNNING

CUSTOMER:  
  
 REFERENCE NO.:

ELECTROLIFT AUTHORIZED DISTRIBUTOR:

DATE:	SCALE:	DWG SIZE:	DRAWN BY:
5/29/13	1/25	B	AR

CATALOG NO.: CD7.5T1825	DRAWING NO.: TR-104
----------------------------	------------------------