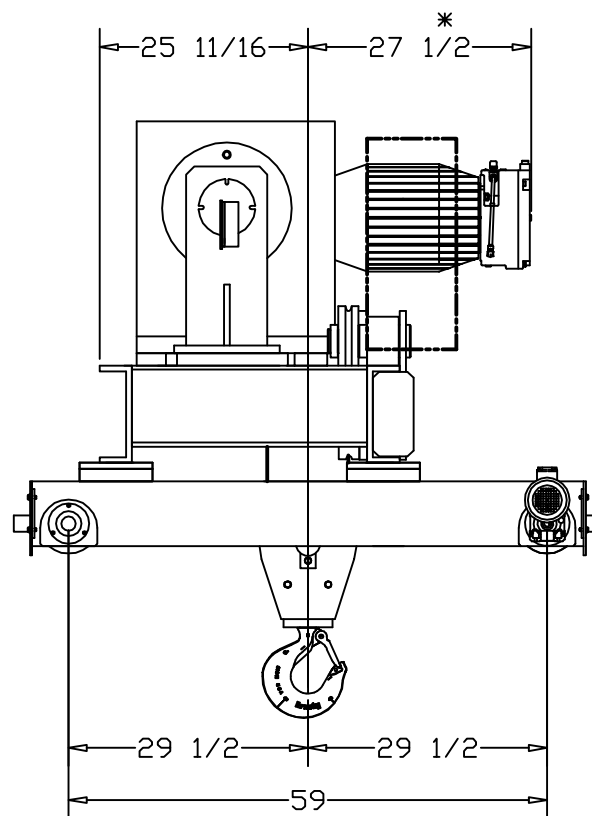
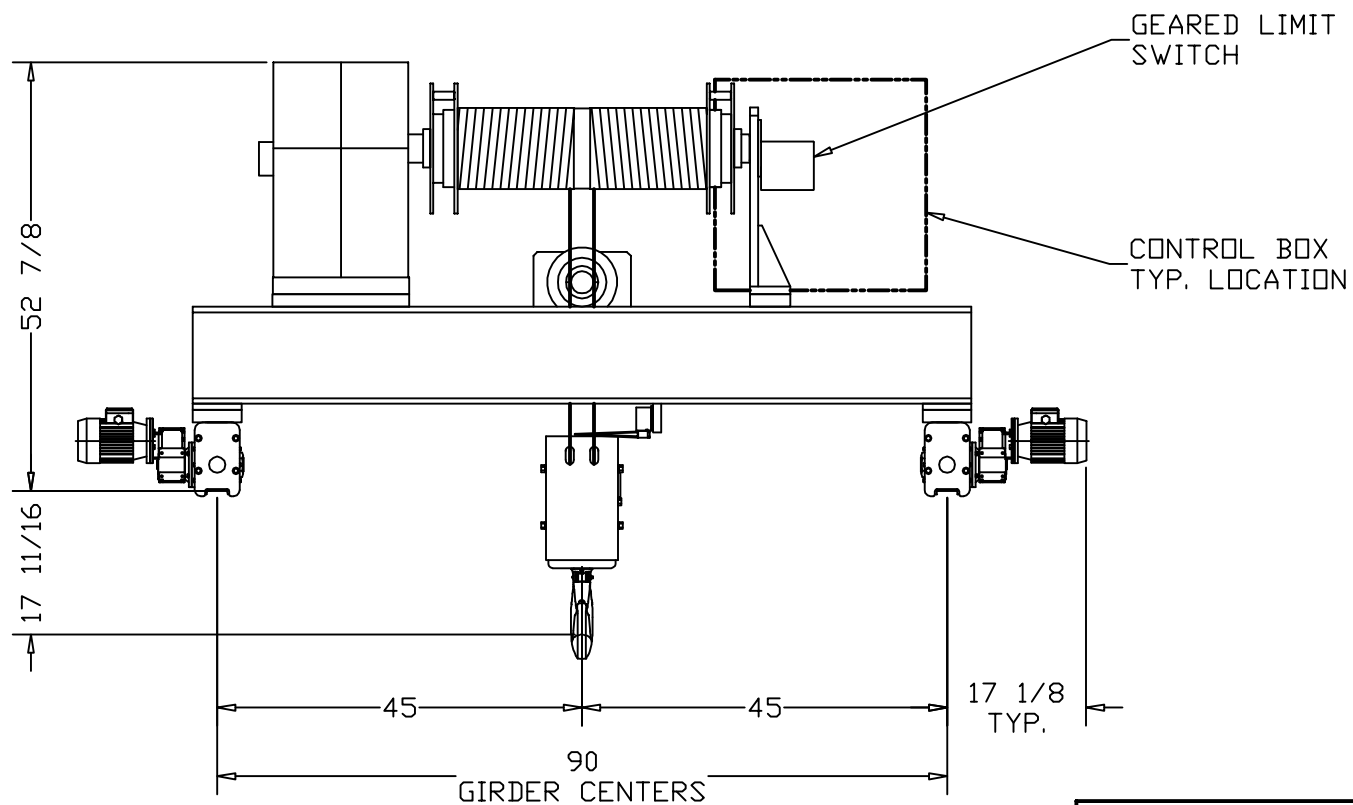


CENTERLINE OF HOOK BLOCK

*ALLOW 6" CLEARANCE TO SERVICE BRAKE

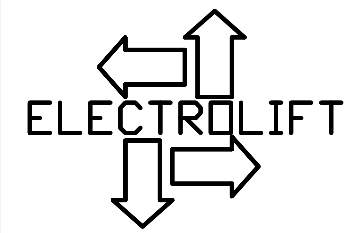


CATALOG #	SPEED (FPM):	LIFT (FT):
CD10T1825	18	25
-	-	-
-	-	-
-	-	-
-	-	-
-	-	-

CAPACITY (LBS):	20,000 LBS
REEVING:	2 PART DOUBLE
PRIMARY VOLTAGE:	460 or 230 (3 PH. STD)
CONTROL VOLTAGE:	115 (STD)
HOIST WEIGHT (LBS):	5700
HP:	20 HP

WHEEL LOADINGS (LBS PER WHEEL):			
LEFT SIDE			
DRIVE	IDLER	DRIVE	IDLER
6675	6475	6275	6275

HOIST NOTES:
 1. SPECIFIC CONTROL BOX LOCATION WILL BE DEFINED UPON CONTROLS SELECTION AND APPLICATION SPECIFIC CLEARANCE ISSUES
 2. CHANNEL SIZE MAY INCREASE AS GIRDER CENTERS BECOME LARGER



ELECTROLIFT, INC.
 204 SARGEANT AVE.
 CLIFTON, NJ 07013
 PH: 973-471-0204
 FAX: 973-471-2814
 www.electrolift.com

1		9/13/13	AR
REV.	ECO#	DATE	BY:

HOIST TYPE: 'CD' SINGLE HOOK

CONFIGURATION: TOP RUNNING

CUSTOMER:

 REFERENCE NO.:

ELECTROLIFT AUTHORIZED DISTRIBUTOR:

DATE:	SCALE:	DWG SIZE:	DRAWN BY:
5/29/13	1/25	B	AR

CATALOG NO.:	DRAWING NO.:
CD10T1825	TR-106