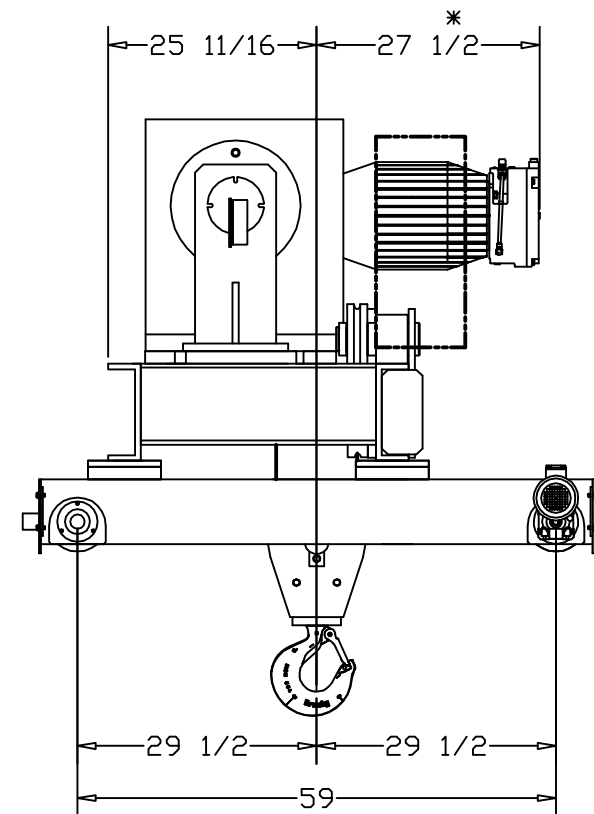
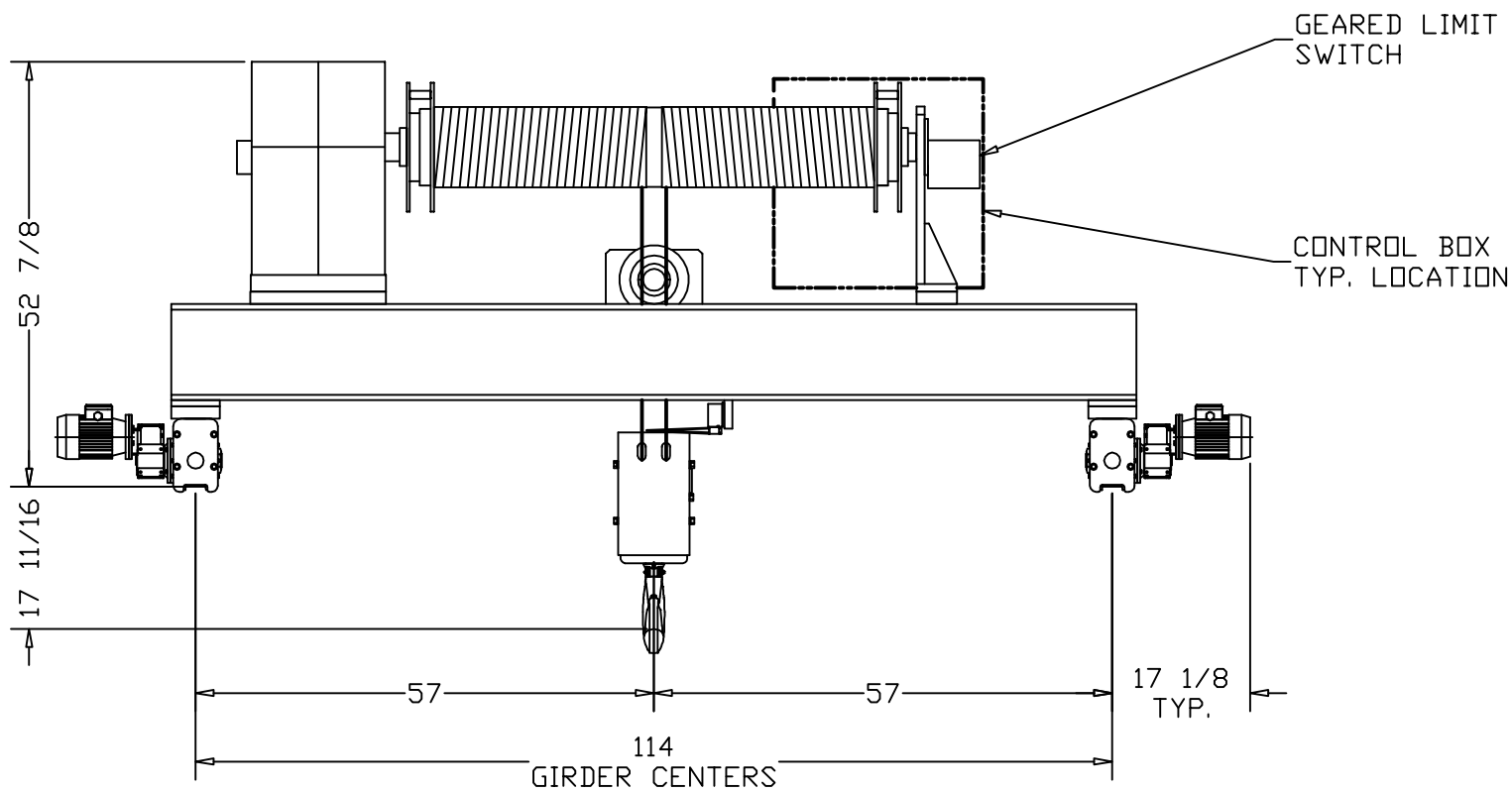


CENTERLINE OF HOOK BLOCK

\*ALLOW 6" CLEARANCE TO SERVICE BRAKE



CATALOG #	SPEED (FPM):	LIFT (FT):
CD10T1850	18	50
-	-	-
-	-	-
-	-	-
-	-	-
-	-	-

CAPACITY (LBS): 20,000 LBS  
 REEVING: 2 PART DOUBLE  
 PRIMARY VOLTAGE: 460 or 230 (3 PH. STD)  
 CONTROL VOLTAGE: 115 (STD)  
 HOIST WEIGHT (LBS): 6000  
 HP: 20 HP

WHEEL LOADINGS (LBS PER WHEEL):			
LEFT SIDE			
DRIVE	IDLER	DRIVE	IDLER
6750	6550	6350	6350

HOIST NOTES:  
 1. SPECIFIC CONTROL BOX LOCATION WILL BE DEFINED UPON CONTROLS SELECTION AND APPLICATION SPECIFIC CLEARANCE ISSUES  
 2. CHANNEL SIZE MAY INCREASE AS GIRDER CENTERS BECOME LARGER

ELECTROLIFT, INC.  
 204 SARGEANT AVE.  
 CLIFTON, NJ 07013  
 PH: 973-471-0204  
 FAX: 973-471-2814  
 www.electrolift.com

1		9/13/13	AR
REV.	ECO#	DATE	BY:

HOIST TYPE: 'CD' SINGLE HOOK

CONFIGURATION: TOP RUNNING

CUSTOMER:  
  
 REFERENCE NO.:

ELECTROLIFT AUTHORIZED DISTRIBUTOR:

DATE:	SCALE:	DWG SIZE:	DRAWN BY:
5/29/13	1/25	B	AR

CATALOG NO.:	DRAWING NO.:
CD10T1850	TR-107