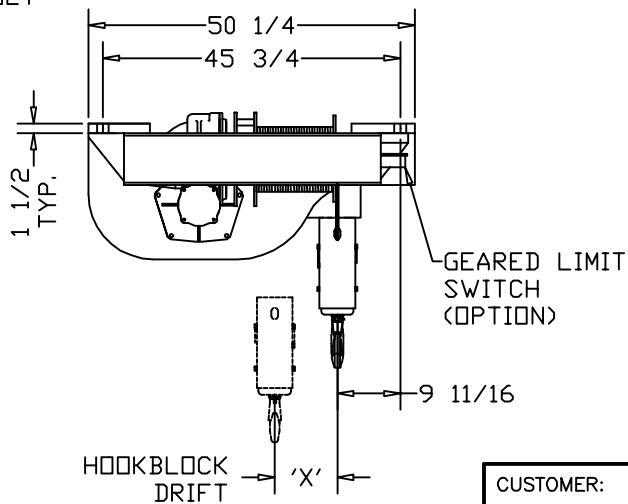
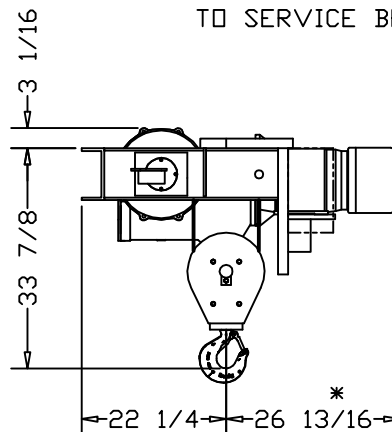


HOLE FOR  
1-3/4 DIA. BOLT



\*ALLOW 6" CLEARANCE  
TO SERVICE BRAKE



CUSTOMER:

ELECTROLIFT AUTHORIZED DISTRIBUTOR:

REFERENCE NO.:

		CATALOG #			
		351-LG	-	-	-
SPEED (FPM):		20	-	-	-
LIFT (FT):		20	-	-	-
CAPACITY (LBS):		10000 LBS			
REEVING:		2 PART SINGLE			
PRIMARY VOLTAGE:		460 or 230 (3 PH. STD)			
CONTROL VOLTAGE:		115 (STD)			
HOIST WEIGHT (LBS):		1500			
HP:		10			
PIN LOADINGS (LBS):					
FULL UP			FULL DOWN		
LEFT SIDE	RIGHT SIDE	LEFT SIDE	RIGHT SIDE	LEFT SIDE	RIGHT SIDE
2872	8628	4128	7372		
HOOKBLOCK DRIFT AT FULL DOWN POSITION (IN.) (X): 5-3/4					
HOIST NOTES: -LARGER CONTROL BOXES MAY NEED TO BE RELOCATED					
		ELECTROLIFT, INC. 204 SARGEANT AVE. CLIFTON, NJ 07013 PH: 973-471-0204 FAX: 973-471-2814 www.electrolift.com			
REV.	ECO#	DATE	BY:		
HOIST TYPE: "D" SINGLE HOOK					
CONFIGURATION: LUG MOUNTED					
DATE:	SCALE:	DWG SIZE:	DRAWN BY:		
6/26/14	1:20	B	AR		
CATALOG NO.:		DRAWING NO.:			
351-LG		D-149			