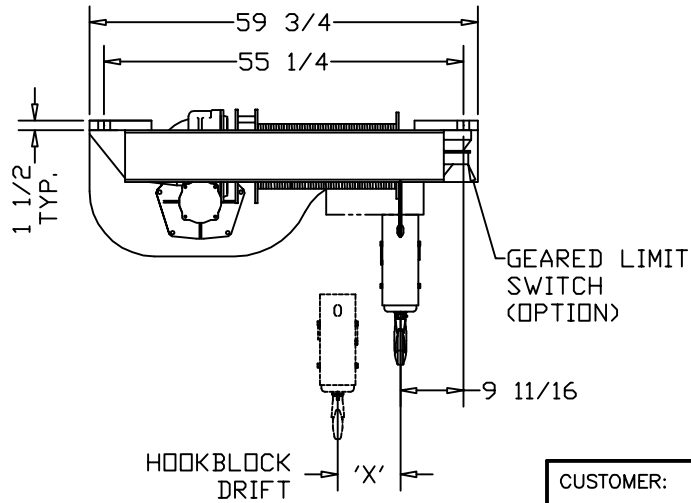
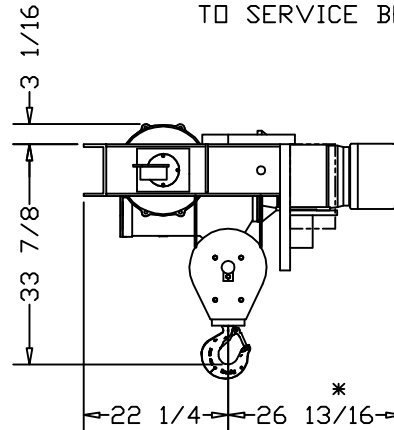


HOLE FOR
1-3/4 DIA. BOLT



*ALLOW 6" CLEARANCE
TO SERVICE BRAKE



CUSTOMER:	ELECTROLIFT AUTHORIZED DISTRIBUTOR:
REFERENCE NO.:	

	CATALOG #			
	352-LG	-	-	-
SPEED (FPM):	20	-	-	-
LIFT (FT):	40	-	-	-
CAPACITY (LBS):	10000 LBS			
REEVING:	2 PART SINGLE			
PRIMARY VOLTAGE:	460 or 230 (3 PH. STD)			
CONTROL VOLTAGE:	115 (STD)			
HOIST WEIGHT (LBS):	1650			
HP:	10			

PIN LOADINGS (LBS):			
FULL UP		FULL DOWN	
LEFT SIDE	RIGHT SIDE	LEFT SIDE	RIGHT SIDE
2769	8881	4669	6981

HOOKBLOCK DRIFT AT FULL
DOWN POSITION (IN.) (X): 10-1/2

HOIST NOTES:
-LARGER CONTROL BOXES MAY NEED TO BE RELOCATED

ELECTROLIFT, INC.
 204 SARGEANT AVE.
 CLIFTON, NJ 07013
 PH: 973-471-0204
 FAX: 973-471-2814
 www.electrolift.com

REV.	ECO#	DATE	BY:

HOIST TYPE: "D" SINGLE HOOK

CONFIGURATION: LUG MOUNTED

DATE:	SCALE:	DWG SIZE:	DRAWN BY:
6/26/14	1:20	B	AR
CATALOG NO.:		DRAWING NO.:	
352-LG		D-152	