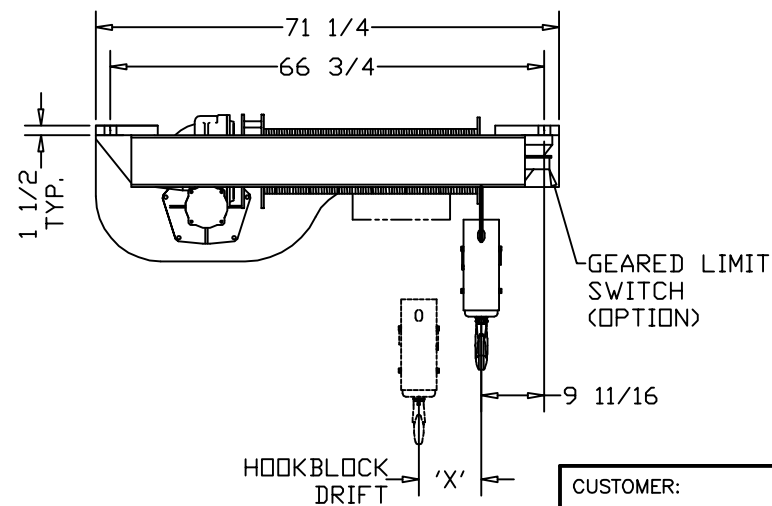
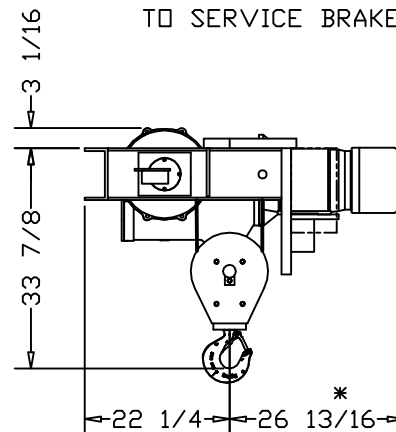


HOLE FOR 1-3/4 DIA. BOLT



HOOKBLOCK DRIFT 'X'

*ALLOW 6" CLEARANCE TO SERVICE BRAKE



CUSTOMER:

REFERENCE NO.:

ELECTROLIFT AUTHORIZED DISTRIBUTOR:

	CATALOG #			
	353-LG	-	-	-
SPEED (FPM):	20	-	-	-
LIFT (FT):	65	-	-	-
CAPACITY (LBS):	10000 LBS			
REEVING:	2 PART SINGLE			
PRIMARY VOLTAGE:	460 or 230 (3 PH. STD)			
CONTROL VOLTAGE:	115 (STD)			
HOIST WEIGHT (LBS):	1820			
HP:	10			

PIN LOADINGS (LBS):			
FULL UP		FULL DOWN	
LEFT SIDE	RIGHT SIDE	LEFT SIDE	RIGHT SIDE
2596	9224	4170	7650

HOOKBLOCK DRIFT AT FULL DOWN POSITION (IN.) (X): 16-1/4

HOIST NOTES:
-LARGER CONTROL BOXES MAY NEED TO BE RELOCATED

ELECTROLIFT, INC.
204 SARGEANT AVE.
CLIFTON, NJ 07013
PH: 973-471-0204
FAX: 973-471-2814
www.electrolift.com

REV.	ECO#	DATE	BY:

HOIST TYPE: "D" SINGLE HOOK

CONFIGURATION: LUG MOUNTED

DATE:	SCALE:	DWG SIZE:	DRAWN BY:
6/26/14	1:20	B	AR

CATALOG NO.:	DRAWING NO.:
353-LG	D-155