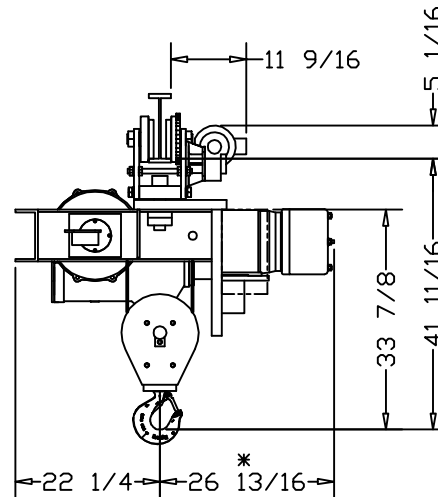
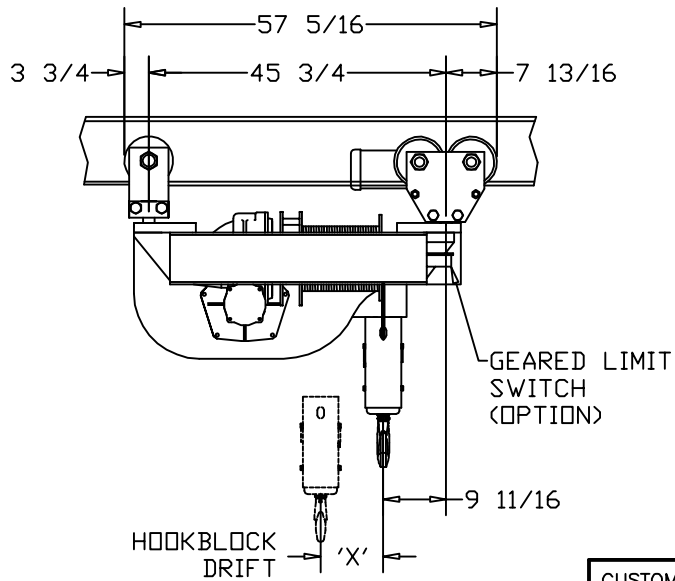


*ALLOW 6" CLEARANCE TO SERVICE BRAKE



		CATALOG #			
		351-SD	-	-	-
SPEED (FPM):		20	-	-	-
LIFT (FT):		20	-	-	-
CAPACITY (LBS):		10000 LBS			
REEVING:		2 PART SINGLE			
PRIMARY VOLTAGE:		460 or 230 (3 PH. STD)			
CONTROL VOLTAGE:		115 (STD)			
HOIST WEIGHT (LBS):		1800			
HP:		10			
WHEEL LOADINGS (LBS PER WHEEL PAIR):					
		FULL UP		FULL DOWN	
LEFT SIDE	RIGHT SIDE	LEFT SIDE	RIGHT SIDE	LEFT SIDE	RIGHT SIDE
3022	4389	4279	3761		
HOOKBLOCK DRIFT AT FULL DOWN POSITION (IN.) (X):		5-3/4			
HOIST NOTES: -LARGER CONTROL BOXES MAY NEED TO BE RELOCATED					
		ELECTROLIFT, INC. 204 SARGEANT AVE. CLIFTON, NJ 07013 PH: 973-471-0204 FAX: 973-471-2814 www.electrolift.com			
REV.	ECO#	DATE	BY:		
HOIST TYPE: "D" SINGLE HOOK					
CONFIGURATION: SIDE DRIVE TROLLEY					
DATE:	SCALE:	DWG SIZE:	DRAWN BY:		
6/30/14	1:20	B	AR		
CATALOG NO.:		DRAWING NO.:			
351-SD		D-167			

CUSTOMER:

REFERENCE NO.:

ELECTROLIFT AUTHORIZED DISTRIBUTOR: