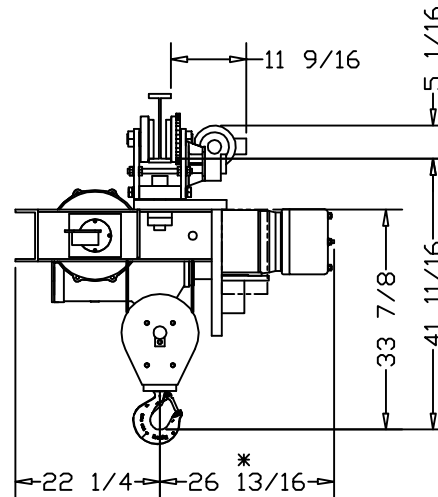
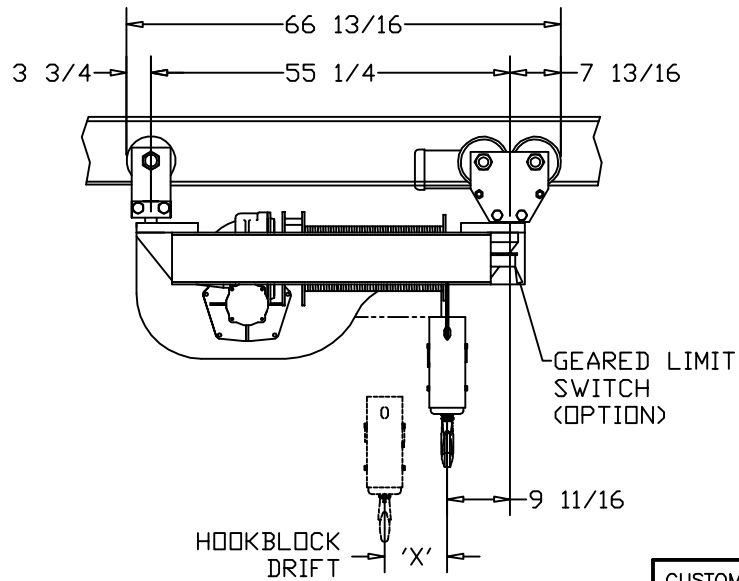


\*ALLOW 6" CLEARANCE TO SERVICE BRAKE



CUSTOMER:	ELECTROLIFT AUTHORIZED DISTRIBUTOR:	DATE:	SCALE:	DWG SIZE:	DRAWN BY:
REFERENCE NO.:		6/30/14	1:20	B	AR
		CATALOG NO.:	DRAWING NO.:		
		352-SD	D-170		

	CATALOG #			
	352-SD	-	-	-
SPEED (FPM):	20	-	-	-
LIFT (FT):	40	-	-	-
CAPACITY (LBS):	10000 LBS			
REEVING:	2 PART SINGLE			
PRIMARY VOLTAGE:	460 or 230 (3 PH. STD)			
CONTROL VOLTAGE:	115 (STD)			
HOIST WEIGHT (LBS):	1950			
HP:	10			
WHEEL LOADINGS (LBS PER WHEEL PAIR):				
FULL UP		FULL DOWN		
LEFT SIDE	RIGHT SIDE	LEFT SIDE	RIGHT SIDE	
2883	4534	4783	3583	
HOOKBLOCK DRIFT AT FULL DOWN POSITION (IN.) (X): 10-1/2				
HOIST NOTES: -LARGER CONTROL BOXES MAY NEED TO BE RELOCATED				

ELECTROLIFT, INC.  
204 SARGEANT AVE.  
CLIFTON, NJ 07013  
PH: 973-471-0204  
FAX: 973-471-2814  
www.electrolift.com

REV.	ECO#	DATE	BY:
HOIST TYPE: "D" SINGLE HOOK			
CONFIGURATION: SIDE DRIVE TROLLEY			