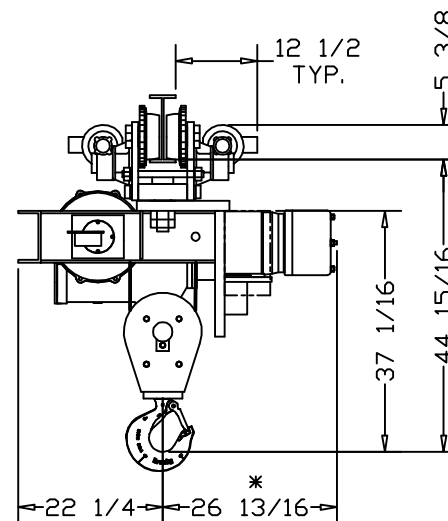


*ALLOW 6" CLEARANCE TO SERVICE BRAKE



CUSTOMER:

REFERENCE NO.:

ELECTROLIFT AUTHORIZED DISTRIBUTOR:

	CATALOG #			
	357-SD	-	-	-
SPEED (FPM):	10	-	-	-
LIFT (FT):	10	-	-	-
CAPACITY (LBS):	20000 LBS			
REEVING:	4 PART SINGLE			
PRIMARY VOLTAGE:	460 or 230 (3 PH. STD)			
CONTROL VOLTAGE:	115 (STD)			
HOIST WEIGHT (LBS):	2000			
HP:	10			

WHEEL LOADINGS (LBS PER WHEEL PAIR):			
FULL UP		FULL DOWN	
LEFT SIDE	RIGHT SIDE	LEFT SIDE	RIGHT SIDE
5295	8352	6552	7724

HOOKBLOCK DRIFT AT FULL DOWN POSITION (IN.) (X): 2-7/8

HOIST NOTES:
-LARGER CONTROL BOXES MAY NEED TO BE RELOCATED

ELECTROLIFT, INC.
204 SARGEANT AVE.
CLIFTON, NJ 07013
PH: 973-471-0204
FAX: 973-471-2814
www.electrolift.com

REV.	ECO#	DATE	BY:

HOIST TYPE: "D" SINGLE HOOK

CONFIGURATION: SIDE DRIVE TROLLEY

DATE:	SCALE:	DWG SIZE:	DRAWN BY:
6/30/14	1:20	B	AR

CATALOG NO.:	DRAWING NO.:
357-SD	D-169