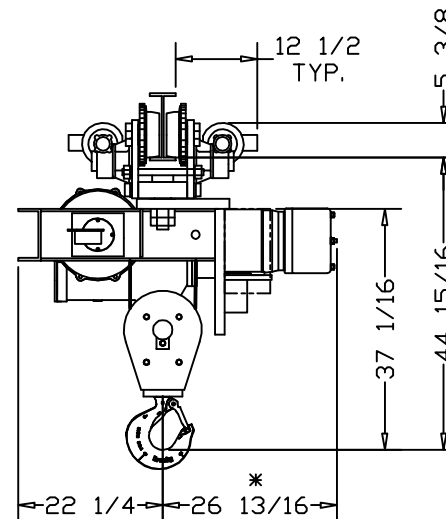


*ALLOW 6" CLEARANCE TO SERVICE BRAKE



| | | CATALOG # | | | |
|--|------------------------|---|-------------|-----------|------------|
| | | 358-SD | - | - | - |
| SPEED (FPM): | 10 | - | - | - | |
| LIFT (FT): | 20 | - | - | - | |
| CAPACITY (LBS): | 20000 LBS | | | | |
| REEVING: | 4 PART SINGLE | | | | |
| PRIMARY VOLTAGE: | 460 or 230 (3 PH. STD) | | | | |
| CONTROL VOLTAGE: | 115 (STD) | | | | |
| HOIST WEIGHT (LBS): | 2150 | | | | |
| HP: | 10 | | | | |
| WHEEL LOADINGS (LBS PER WHEEL PAIR): | | | | | |
| FULL UP | | | FULL DOWN | | |
| LEFT SIDE | RIGHT SIDE | LEFT SIDE | RIGHT SIDE | LEFT SIDE | RIGHT SIDE |
| 4752 | 8699 | 6652 | 7749 | | |
| HOOKBLOCK DRIFT AT FULL DOWN POSITION (IN.) (X): 5-1/4 | | | | | |
| HOIST NOTES: -LARGER CONTROL BOXES MAY NEED TO BE RELOCATED | | | | | |
| | | ELECTROLIFT, INC. 204 SARGEANT AVE. CLIFTON, NJ 07013 PH: 973-471-0204 FAX: 973-471-2814 www.electrolift.com | | | |
| REV. | ECO# | DATE | BY: | | |
| HOIST TYPE: "D" SINGLE HOOK | | | | | |
| CONFIGURATION: SIDE DRIVE TROLLEY | | | | | |
| DATE: | SCALE: | DWG SIZE: | DRAWN BY: | | |
| 6/30/14 | 1:20 | B | AR | | |
| CATALOG NO: | | | DRAWING NO: | | |
| 358-SD | | | D-172 | | |

CUSTOMER:

REFERENCE NO.:

ELECTROLIFT AUTHORIZED DISTRIBUTOR: