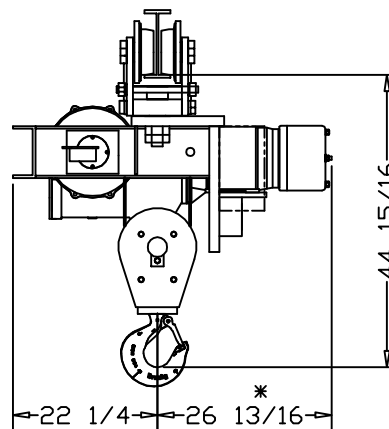


\*ALLOW 6" CLEARANCE TO SERVICE BRAKE



CUSTOMER:  
  
REFERENCE NO.:

ELECTROLIFT AUTHORIZED DISTRIBUTOR:

	CATALOG #			
	354-PL	-	-	-
SPEED (FPM):	15	-	-	-
LIFT (FT):	10	-	-	-
CAPACITY (LBS):	15000 LBS			
REEVING:	2 PART SINGLE			
PRIMARY VOLTAGE:	460 or 230 (3 PH. STD)			
CONTROL VOLTAGE:	115 (STD)			
HOIST WEIGHT (LBS):	1900			
HP:	10			
WHEEL LOADINGS (LBS PER WHEEL PAIR):				
FULL UP		FULL DOWN		
LEFT SIDE	RIGHT SIDE	LEFT SIDE	RIGHT SIDE	
4214	6343	6099	5400	
HOOKBLOCK DRIFT AT FULL DOWN POSITION (IN.) (X): 2-7/8				
HOIST NOTES: -LARGER CONTROL BOXES MAY NEED TO BE RELOCATED				

ELECTROLIFT, INC.  
204 SARGEANT AVE.  
CLIFTON, NJ 07013  
PH: 973-471-0204  
FAX: 973-471-2814  
www.electrolift.com

REV.	ECO#	DATE	BY:
HOIST TYPE: "D" SINGLE HOOK			
CONFIGURATION: IDLER TROLLEY			
DATE:	SCALE:	DWG SIZE:	DRAWN BY:
6/30/14	1:20	B	AR
CATALOG NO.:		DRAWING NO.:	
354-PL		D-159	