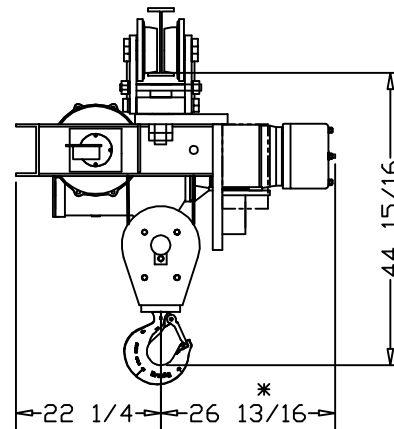


*ALLOW 6" CLEARANCE TO SERVICE BRAKE



CUSTOMER:	ELECTROLIFT AUTHORIZED DISTRIBUTOR:
REFERENCE NO.:	

		CATALOG #			
		356-PL	-	-	-
SPEED (FPM):	15	-	-	-	
LIFT (FT):	32	-	-	-	
CAPACITY (LBS):	15000 LBS				
REEVING:	4 PART SINGLE				
PRIMARY VOLTAGE:	460 or 230 (3 PH. STD)				
CONTROL VOLTAGE:	115 (STD)				
HOIST WEIGHT (LBS):	2220				
HP:	10				
WHEEL LOADINGS (LBS PER WHEEL PAIR):					
FULL UP			FULL DOWN		
LEFT SIDE	RIGHT SIDE	LEFT SIDE	RIGHT SIDE	LEFT SIDE	RIGHT SIDE
3602	6809	5428	5896		
HOOKBLOCK DRIFT AT FULL DOWN POSITION (IN.) (X): 8-1/8					
HOIST NOTES: -LARGER CONTROL BOXES MAY NEED TO BE RELOCATED					
		ELECTROLIFT, INC. 204 SARGEANT AVE. CLIFTON, NJ 07013 PH: 973-471-0204 FAX: 973-471-2814 www.electrolift.com			
REV.	ECO#	DATE	BY:		
HOIST TYPE: "D" SINGLE HOOK					
CONFIGURATION: IDLER TROLLEY					
DATE:	SCALE:	DWG SIZE:	DRAWN BY:		
6/30/14	1:20	B	AR		
CATALOG NO.:			DRAWING NO.:		
356-PL			D-165		