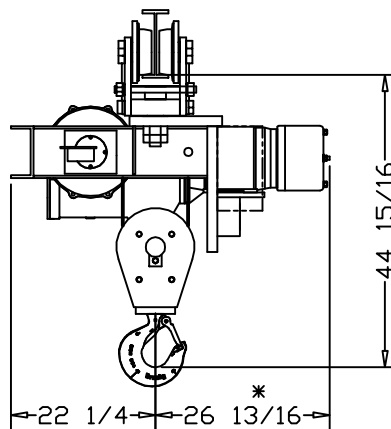
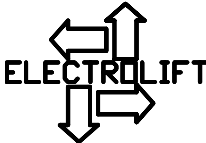


\*ALLOW 6" CLEARANCE TO SERVICE BRAKE



CUSTOMER:  
  
REFERENCE NO.:

ELECTROLIFT AUTHORIZED DISTRIBUTOR:  
  
DRAWING NO.:

		CATALOG #			
		358-PL	-	-	-
SPEED (FPM):		10	-	-	-
LIFT (FT):		20	-	-	-
CAPACITY (LBS):		20000 LBS			
REEVING:		4 PART SINGLE			
PRIMARY VOLTAGE:		460 or 230 (3 PH. STD)			
CONTROL VOLTAGE:		115 (STD)			
HOIST WEIGHT (LBS):		2050			
HP:		10			
WHEEL LOADINGS (LBS PER WHEEL PAIR):					
		FULL UP		FULL DOWN	
LEFT SIDE	RIGHT SIDE	LEFT SIDE	RIGHT SIDE	LEFT SIDE	RIGHT SIDE
4702	8674	6603	7724		
HOOKBLOCK DRIFT AT FULL DOWN POSITION (IN.) (X):		5-1/4			
HOIST NOTES:		-LARGER CONTROL BOXES MAY NEED TO BE RELOCATED			
		ELECTROLIFT, INC. 204 SARGEANT AVE. CLIFTON, NJ 07013 PH: 973-471-0204 FAX: 973-471-2814 www.electrolift.com			
REV.	ECO#	DATE	BY:		
HOIST TYPE:		"D" SINGLE HOOK			
CONFIGURATION:		IDLER TROLLEY			
DATE:	SCALE:	DWG SIZE:	DRAWN BY:		
6/30/14	1:20	B	AR		
CATALOG NO.:		DRAWING NO.:			
358-PL		D-163			