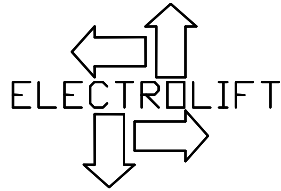
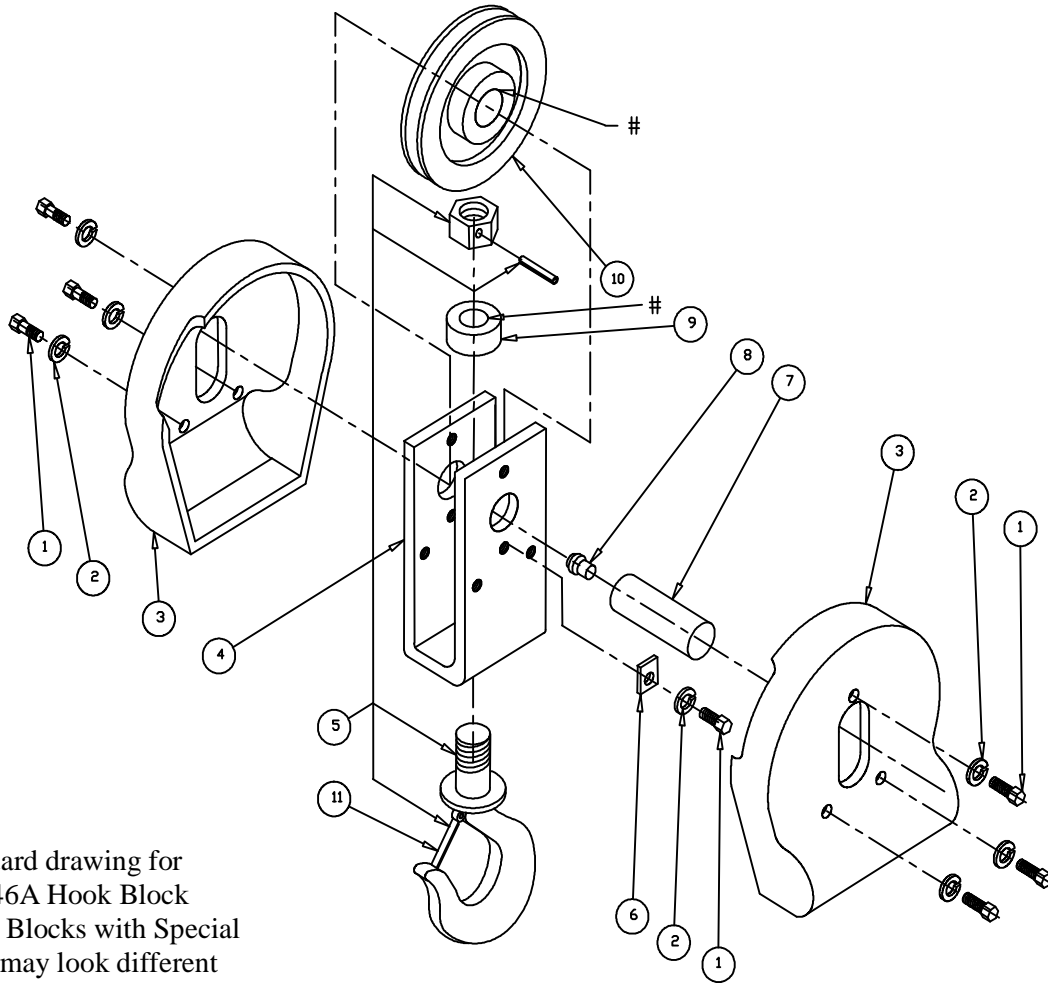


Parts List
 Customer Service:
 1-800-338-9951



M1046A Hook Block
 Issue 3: 3/17/10

- Apply Grease



Standard drawing for
 M1046A Hook Block
 Hook Blocks with Special
 Parts may look different

Bill of Materials for Standard M1046A Hook Block

11*	DM7080	1	LATCH KIT
10	K130P1	1	SHEAVE, 5 PD, 1/4-5/16 CABLE, B HOOK BLOCK
9	DM7682	1	BEARING, THR, 5080, .75 ID, 1.46 OD, .56 W
8	FS346	1	FITTING,GREASE,DRIVE,STRAIGHT,1/4x35/64,ALEMITE 1743-B
7	K3122	1	PIN, SHEAVE, HB, B
6	K1868	1	LOCKING PIECE, TYPE A, 4 ROPE, HB
5**	P531P8	1	ASSY, HOOK, S319CN, 2 SWL, M-1046-A
4	K3108	1	YOKE, HOOK BLOCK, M-1046-A, B HOIST
3	M777	2	GUARD, HB, B, 2 ROPE
2	FS312	7	WASHER,L,5/16, PLAIN
1	FS121	7	SCREW,HHCS,5/16-18x5/8,GR2,PLAIN
ITEM #	PART NO.	QTY	DESCRIPTION

* Note: The Latch Kit, (item #11) is provided on the Hook Assembly (Item #5). The Latch Kit is also available for individual purchase.
 ** For hook blocks with a heat shield, use P531-P31