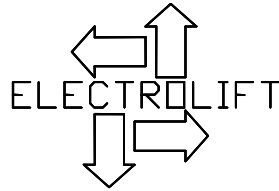
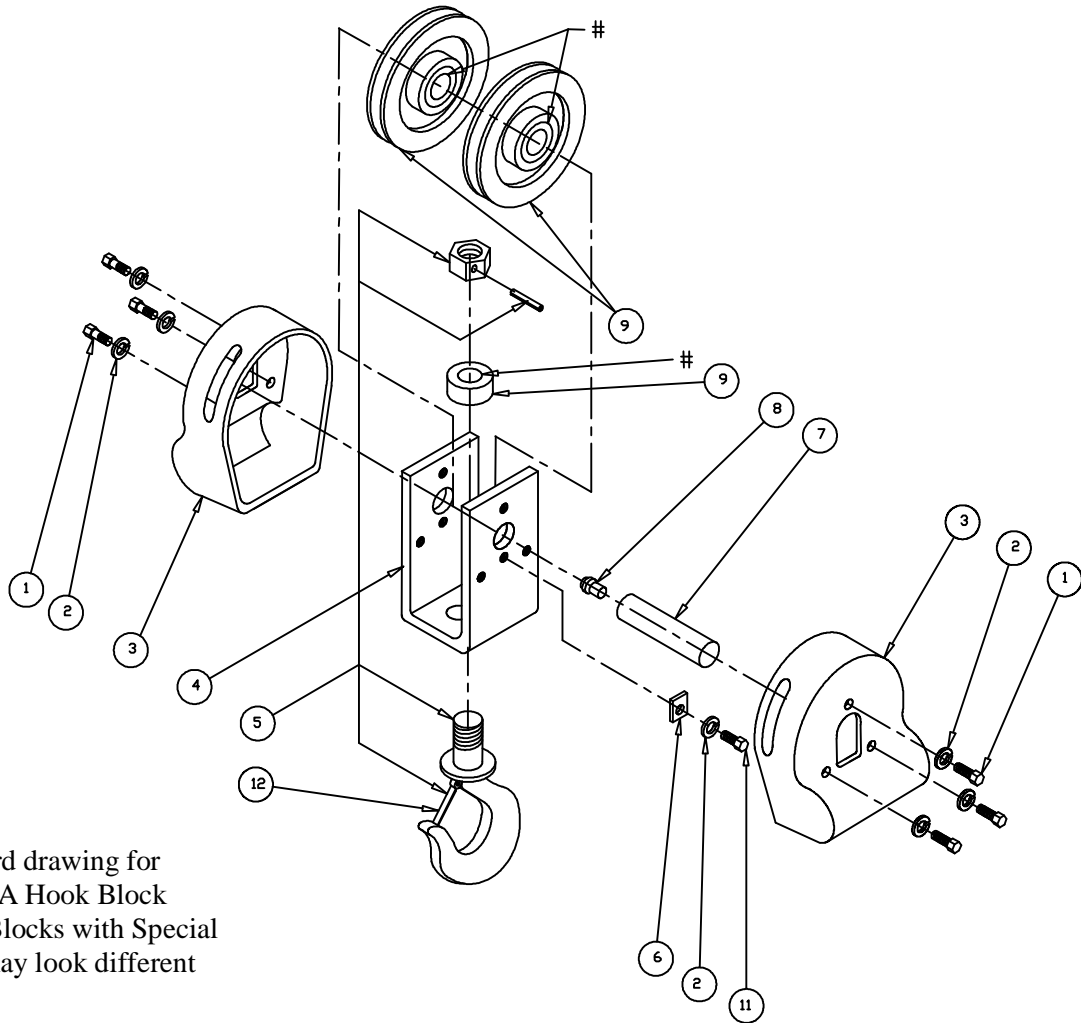


Parts List
 Customer Service:
 1-800-338-9951



M1047A Hook Block
 Issue 4: 3/17/10

- Apply Grease



Standard drawing for
 M1047A Hook Block
 Hook Blocks with Special
 Parts may look different

Bill of Materials for Standard M1047A Hook Block

12 *	DM7080	1	LATCH KIT
11	FS119	1	SCREW,HHCS,5/16-18x1/2, GR2,PLAIN
10	K103P3	2	SHEAVE, 4PD. 1/4" CABLE
9	DM7682	1	BEARING, THR, 5080, .75 ID, 1.46 OD, .56 W
8	FS346	1	FITTING,GREASE,DRIVE,STRAIGHT,1/4x35/64,ALEMITE 1743-B
7	K1866	1	PIN, SHEAVE, HB, 4 ROPE
6	K1868	1	LOCKING PIECE, TYPE A, 4 ROPE, HB
5**	P531P8	1	ASSY, HOOK, S319CN, 2 SWL, M-1046-A, M1047A
4	K3117	1	YOKE, HOOK BLOCK, M-1047-A, A HOIST
3	M2793	2	GUARD, HB, A, 4 ROPE
2	FS312	7	WASHER,L,5/16, PLAIN
1	FS121	6	SCREW,HHCS,5/16-18x5/8,GR2,PLAIN
ITEM #	PART NO.	QTY	DESCRIPTION

* Note: The Latch Kit, (item #12) is provided on the Hook Assembly (Item #5). The Latch Kit is also available for individual purchase.
 ** For hook blocks with a heat shield, use P531-P31