

**CAPACITY
6000 LBS.**

**FACTOR OF SAFETY
5 TO 1 MINIMUM**

SPECIFICATIONS:

1. WIRE ROPE:

FOR USE WITH 1/4" OR 5/16"
DIAMETER WIRE ROPE

2. SHEAVES:

QUANTITY = 2
PITCH DIAMETER = 5"
MATERIAL =

FOR STANDARD DUTY:
CAST IRON SHEAVE
WITH ROLLER BEARING

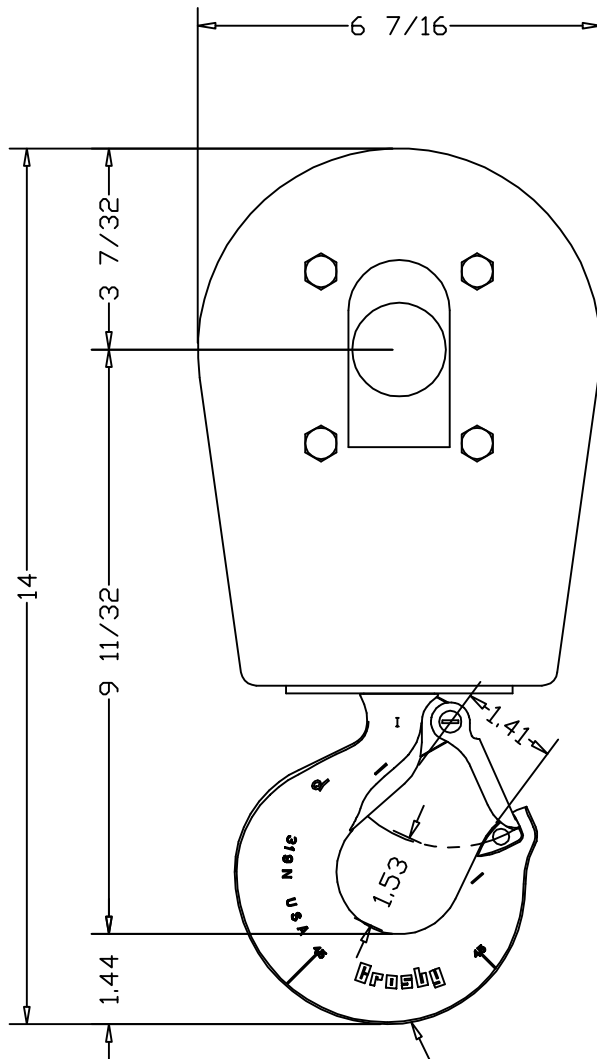
FOR HEAVY DUTY
(UPON REQUEST):
STEEL SHEAVE WITH
ROLLER BEARING

4. HOOK ASSEMBLY PART NUMBER:

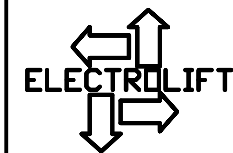
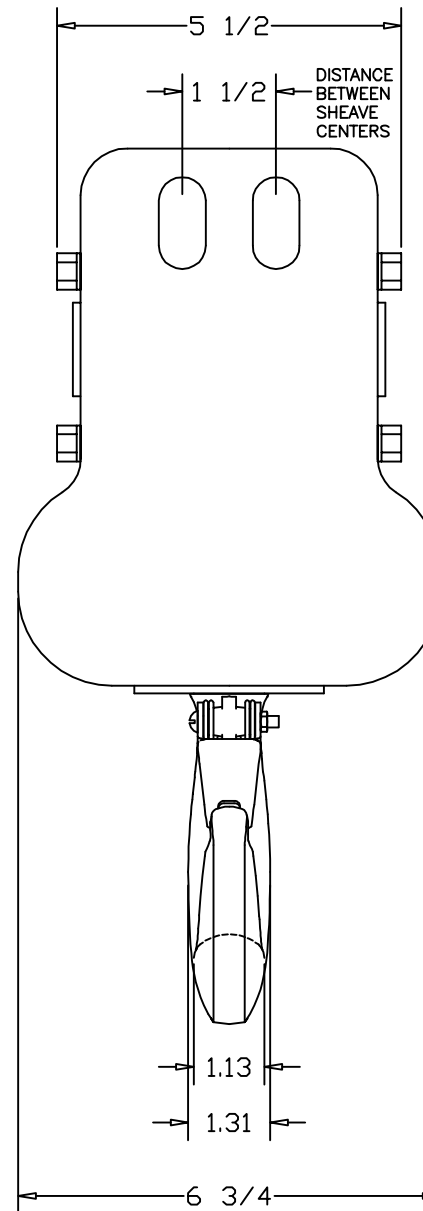
P531P7 HOOK ASSEMBLY MADE
FROM CROSBY S-319AN 5 TON
ALLOY HOOK PART #1028741

5. WEIGHT:

55 LBS



STANDARD HOOK
ASSEMBLY
CONTACT ELECTROLIFT'S
SALES DEPARTMENT FOR
OTHER OPTIONS.



ELECTROLIFT, INC.
204 SARGEANT AVE.
CLIFTON, NJ 07013
PH: 973-471-0204
FAX: 973-471-2814
www.electrolift.com

REV.	ECO#	DATE	BY:
STANDARD HOOK BLOCK: M1048B			
DATE:	SCALE:	DWG SIZE:	DRAWN BY:
2/26/08	1/2	A	DR

DRAWING NO:
M1048B-WPDF