

# CAPACITY 10,000 LBS.

INFORMATION REQUIRED  
SEE SHEET 2 FOR SPECIFICATIONS

TRACK SIZE:

\_\_\_\_\_

FLANGE WIDTH:

\_\_\_\_\_

FLANGE THICKNESS:

\_\_\_\_\_

HARDENED WHEELS:

NO

YES

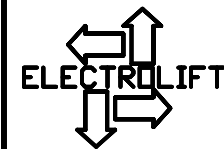
DIMENSION "A": \_\_\_\_\_

SPACER REQUIRED:

NO

YES

DIMENSION "B": \_\_\_\_\_



ELECTROLIFT, INC.  
 204 SARGEANT AVE.  
 CLIFTON, NJ 07013  
 PH: 973-471-0204  
 FAX: 973-471-2814  
 www.electrolift.com

1	557	2/10/11	DR
REV.	ECO#	DATE	BY:
IDLER TROLLEY PART NUMBER:		M1171B	
DATE: 12/12/07	SCALE: NONE	DWG SIZE: A	DRAWN BY: DR

DRAWING NO:  
**M1171B-WPDF**  
SHEET 1 OF 2

**CAPACITY  
10,000 LBS.**

**SPECIFICATIONS**

PROVIDE SHEET 1 TO ELECTROLIFT

**GENERAL NOTES:**

1. CAPACITY OF TROLLEY IS NOT TO BE EXCEEDED
2. FACTOR OF SAFETY 5 TO 1 MINIMUM
3. VISTA GREEN ENAMAL PAINT STANDARD
4. NOT DESIGNED FOR TRAVERSING TRACKS WITH A RADIUS.
5. CONSULT ELECTROLIFT'S SALES DEPARTMENT FOR ADDITIONAL FEATURES

**WHEEL ASSEMBLY**

STANDARD HARDNESS:

BRINELL 143/ROCKWELL B78

OPTIONAL HARDENED WHEEL:

BRINELL 475/ROCKWELL C50

BEARING L10HR LIFE:

34,526 HRS AT 50 FPM

**TRACK TYPE**

S-BEAM TRACK: CURVED PROFILE AS SHOWN

W-BEAM TRACK: FLAT PROFILE PROVIDED

PATENTED TRACK: SEE TROLLEY M1171C

**SPACER LENGTH**

REQUIRED IF DIMENSION "C"

EXCEEDS 1/2"

MATERIAL = TUBING, 2 IDx2-3/8 OD

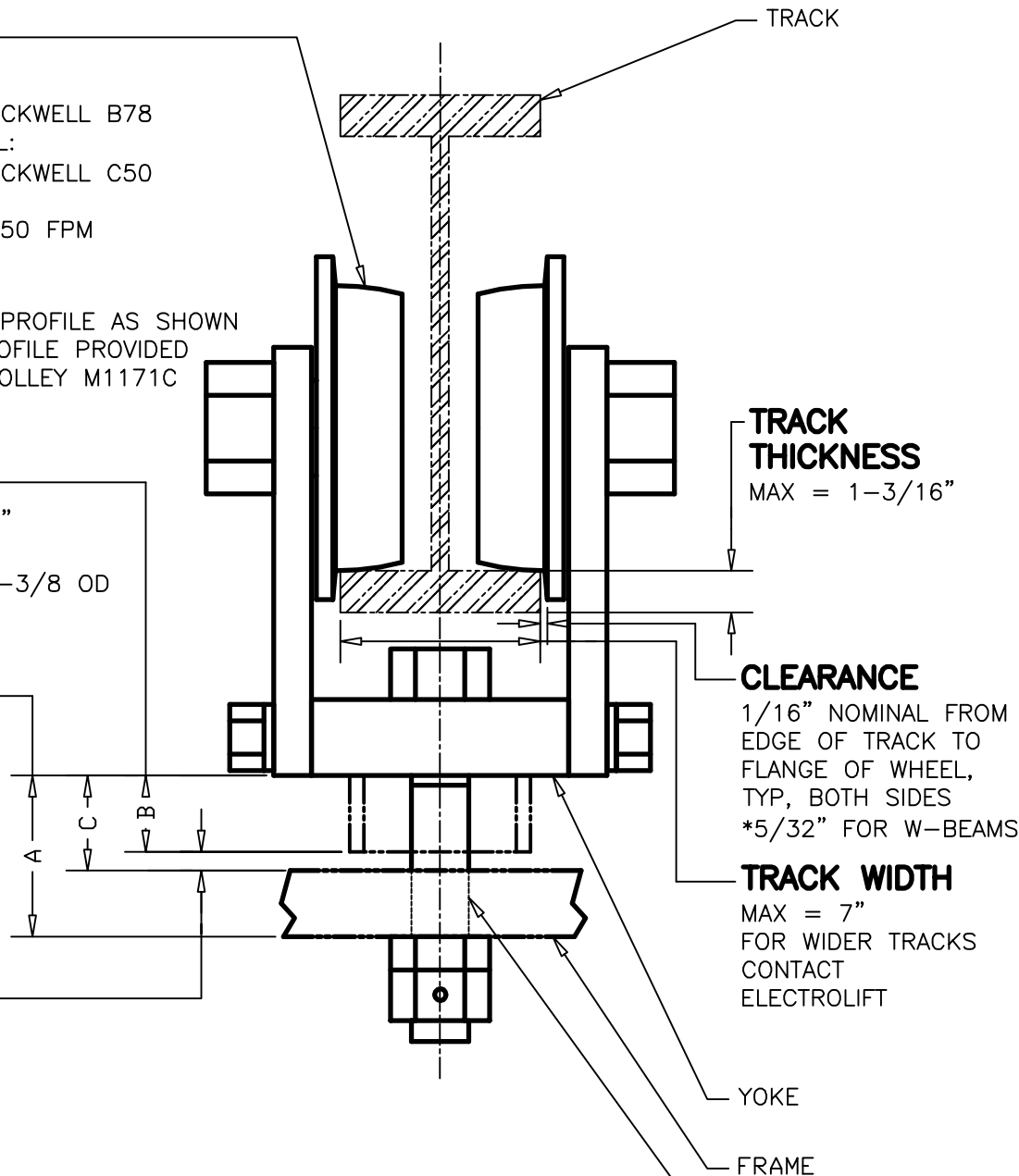
**BOLT SPAN**

3 1/4" MAX

FOR LARGER DIMENSIONS,  
CONTACT ELECTROLIFT

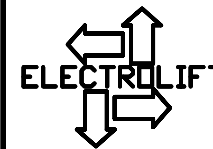
**GAP**

1/8" MIN. GAP REQUIRED  
FROM BOTTOM OF YOKE  
OR SPACER TO BOTTOM  
OF FRAME



REPRESENTATIVE DRAWING  
NOT TO SCALE

**CLEARANCE HOLE**  
1 13/16" DIA.  
HOLE IN FRAME



ELECTROLIFT, INC.  
204 SARGEANT AVE.  
CLIFTON, NJ 07013  
PH: 973-471-0204  
FAX: 973-471-2814  
www.electrolift.com

REV.	ECO#	DATE	BY:
IDLER TROLLEY PART NUMBER:		M1171B	
DATE: 12/12/07	SCALE: NONE	DWG SIZE: A	DRAWN BY: DR
DRAWING NO: <b>M1171B-WPDF</b>			
SHEET 2 OF 2			