

# CAPACITY 2000 LBS.

INFORMATION REQUIRED  
SEE SHEET 2 FOR SPECIFICATIONS

TRACK SIZE: \_\_\_\_\_

FLANGE WIDTH: \_\_\_\_\_

FLANGE THICKNESS: \_\_\_\_\_

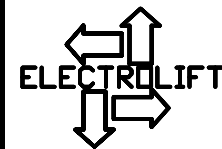
HARDENED WHEELS:

- NO  
 YES

DIMENSION "A": \_\_\_\_\_

SPACER REQUIRED:  
 NO  
 YES

DIMENSION "B": \_\_\_\_\_



ELECTROLIFT, INC.  
204 SARGEANT AVE.  
CLIFTON, NJ 07013  
PH: 973-471-0204  
FAX: 973-471-2814  
www.electrolift.com

REV.	ECO#	DATE	BY:
------	------	------	-----

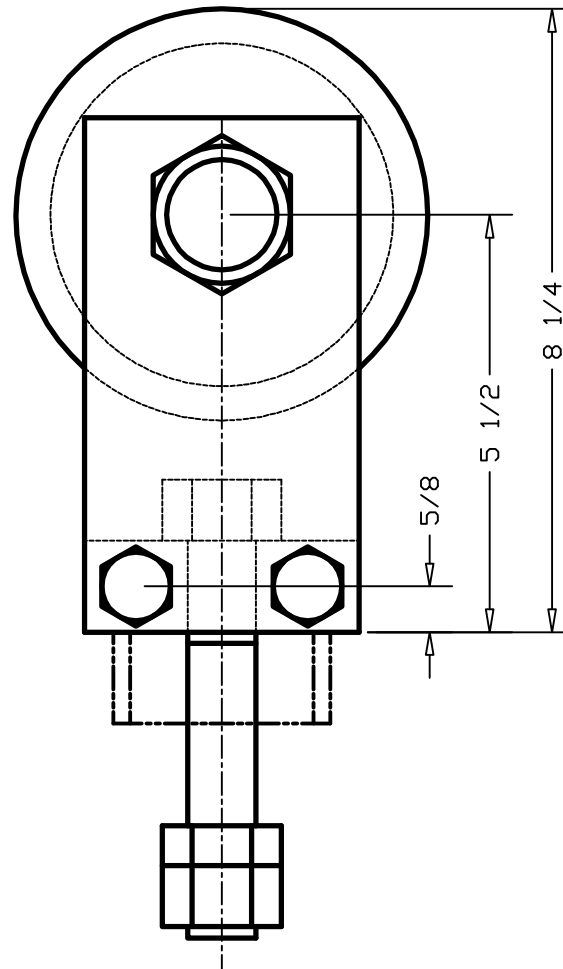
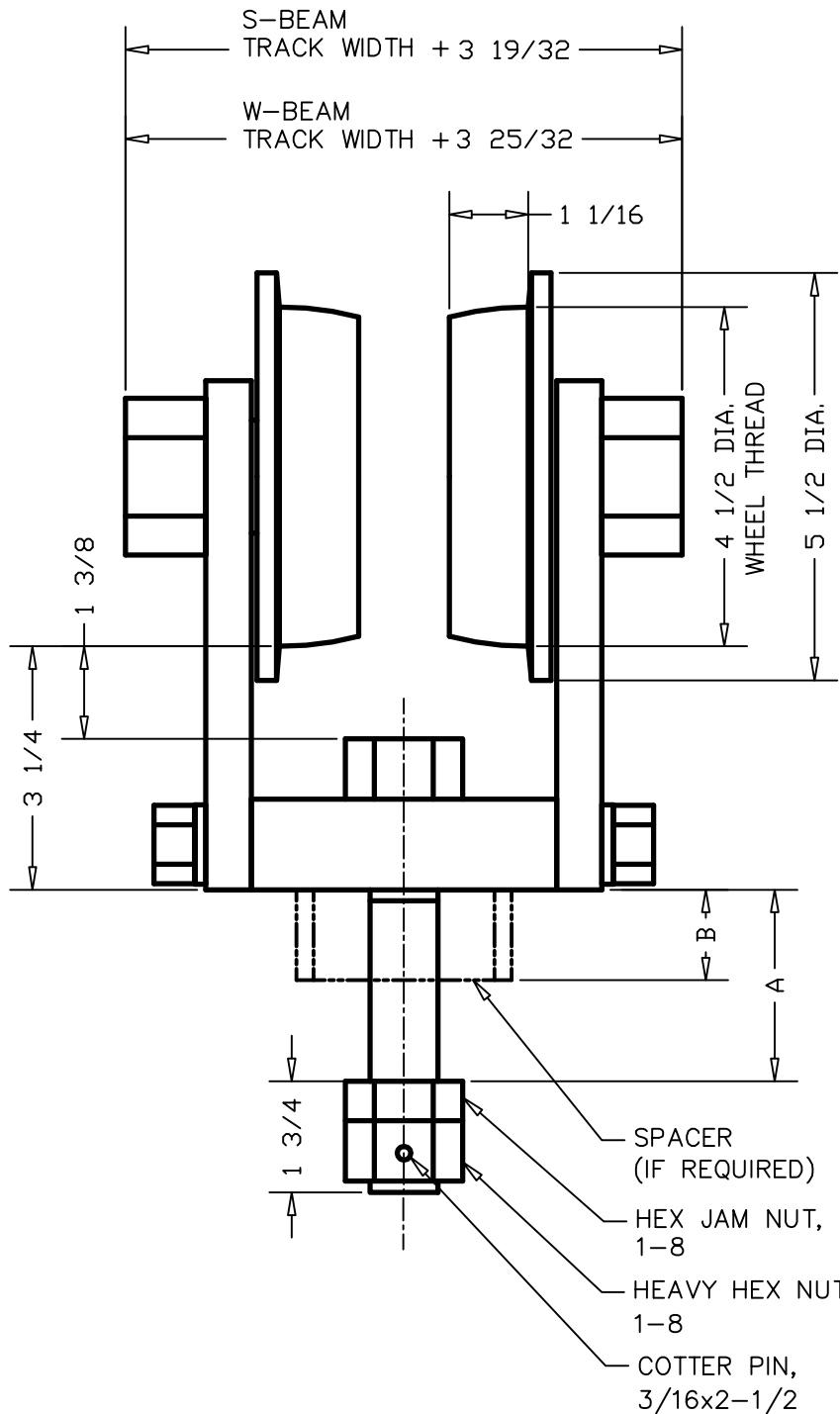
IDLER TROLLEY PART NUMBER: M1174B

DATE: 12/12/07	SCALE: NONE	DWG SIZE: A	DRAWN BY: DR
----------------	-------------	-------------	--------------

DRAWING NO.:

M1174B-WPDF

SHEET 1 OF 2



# CAPACITY 2000 LBS.

## SPECIFICATIONS

PROVIDE SHEET 1 TO ELECTROLIFT

### GENERAL NOTES:

1. CAPACITY OF TROLLEY IS NOT TO BE EXCEEDED
2. FACTOR OF SAFETY 5 TO 1 MINIMUM
3. VISTA GREEN ENAMAL PAINT STANDARD
4. NOT DESIGNED FOR TRAVERSING TRACKS WITH A RADIUS.
5. CONSULT ELECTROLIFT'S SALES DEPARTMENT FOR ADDITIONAL FEATURES

### WHEEL ASSEMBLY

STANDARD HARDNESS:

BRINELL 143/ROCKWELL B78

OPTIONAL HARDENED WHEEL:

BRINELL 475/ROCKWELL C50

BEARING L10HR LIFE:

14,764 HRS AT 50 FPM

### TRACK TYPE

S-BEAM TRACK: CURVED PROFILE AS SHOWN

W-BEAM TRACK: FLAT PROFILE PROVIDED

PATENTED TRACK: SEE TROLLEY M1248B

### SPACER LENGTH

REQUIRED IF DIMENSION "C"

EXCEEDS 1/2"

MATERIAL = TUBING, 2 IDx2-3/8 OD

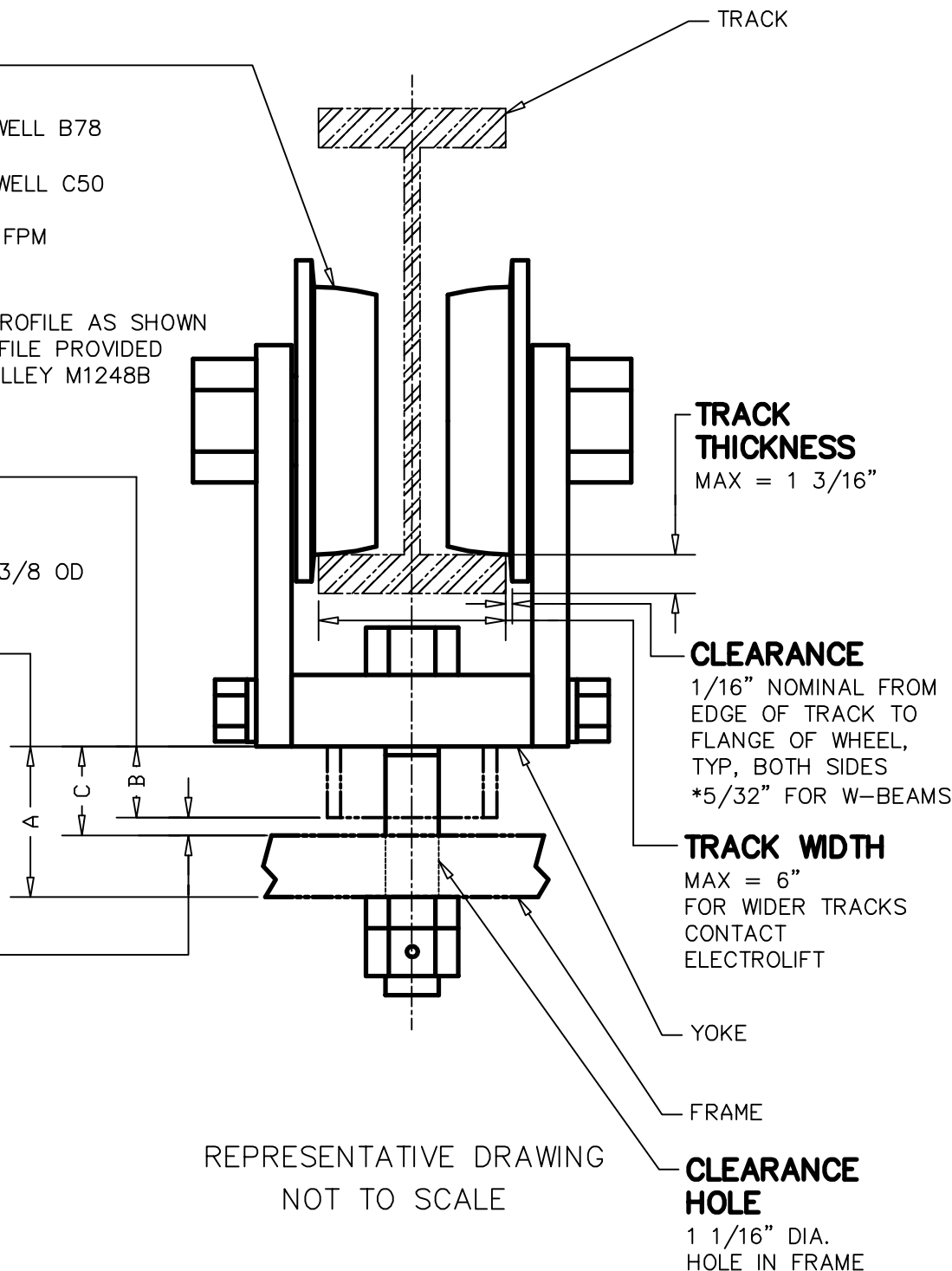
### BOLT SPAN

2" MAX.

FOR LARGER DIMENSIONS,  
CONTACT  
ELECTROLIFT

### GAP

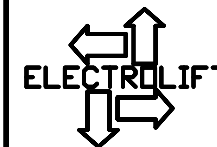
1/8" MIN. GAP REQUIRED  
FROM BOTTOM OF YOKE  
OR SPACER TO BOTTOM  
OF FRAME



REPRESENTATIVE DRAWING  
NOT TO SCALE

### CLEARANCE HOLE

1 1/16" DIA.  
HOLE IN FRAME



ELECTROLIFT, INC.  
204 SARGEANT AVE.  
CLIFTON, NJ 07013  
PH: 973-471-0204  
FAX: 973-471-2814  
www.electrolift.com

REV.	ECO#	DATE	BY:
IDLER TROLLEY PART NUMBER: M1174B			
DATE: 12/12/07	SCALE: NONE	DWG SIZE: A	DRAWN BY: DR
DRAWING NO: M1174B-WPDF			
SHEET 2 OF 2			