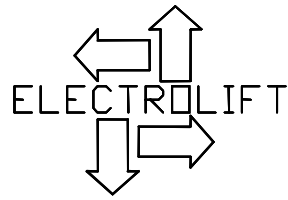
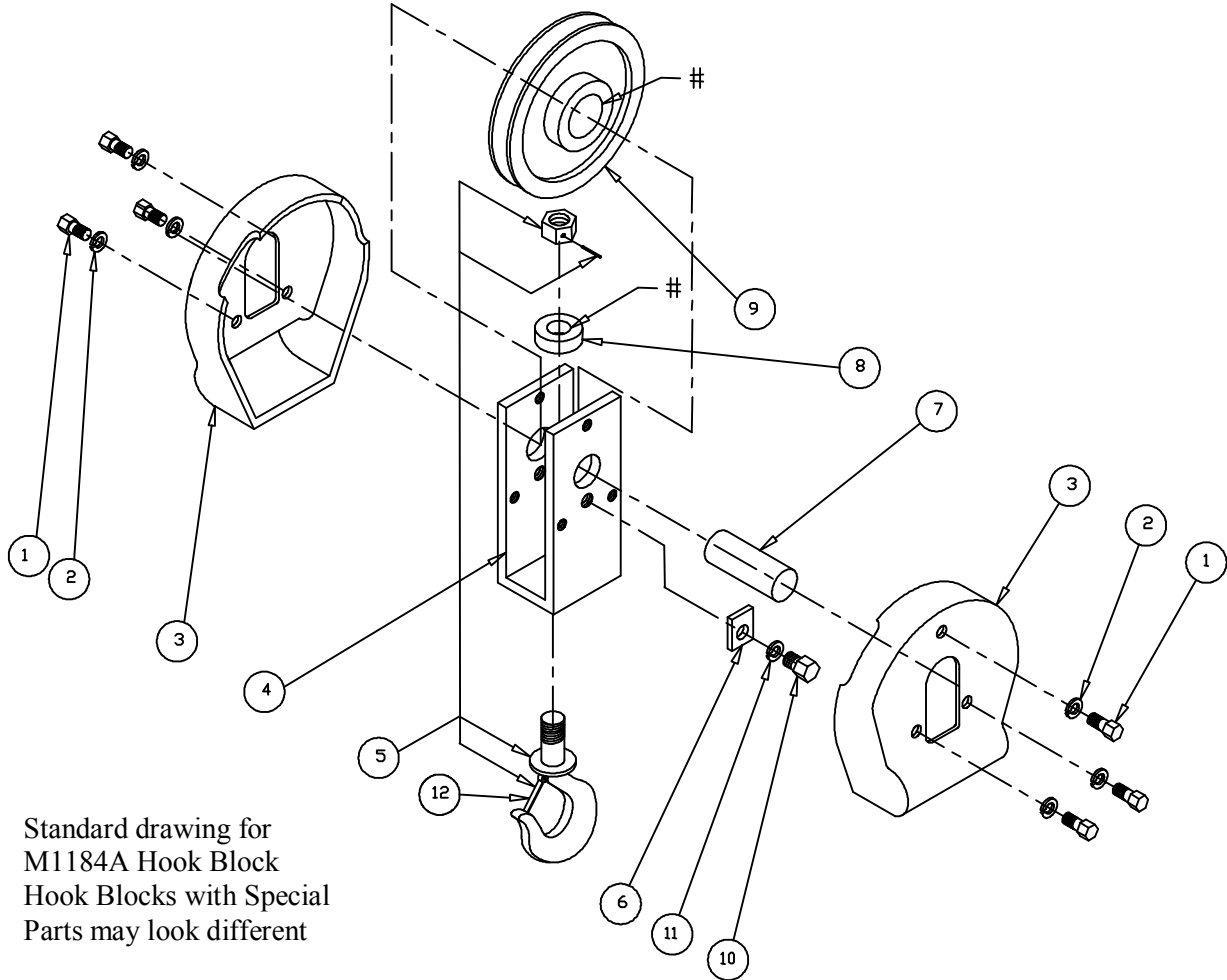


Parts List
 Customer Service:
 1-800-338-9951



M1184A Hook Block
 Issue 3: 6/14/05

- Apply Grease



Standard drawing for
 M1184A Hook Block
 Hook Blocks with Special
 Parts may look different

Bill of Materials for Standard M1184A Hook Block			
ITEM #	PART NO.	QTY	DESCRIPTION
12 *	DM7076	1	LATCH KIT
11	FS310	1	WASHER,L,1/4, PLAIN
10	FS615	1	SCREW,HHCS,1/4-20x3/8,GR2,PLAIN
9	K969P1	1	SHEAVE, M HOIST
8	DM7504	1	BEARING, THR, 603 1/4, .50 ID, 1 OD, .34 W
7	K3094	1	PIN, SHEAVE, HB, M
6	K11337	1	LOCKING PIECE, TYPE M, 2 ROPE, HB
5**	P531P5	1	ASSY, HOOK, S319CN, 3/4 SWL, M-1184-A
4	K3093	1	YOKE, HOOK BLOCK, M-1184-B, M-2 ROPE
3	K970	2	GUARD, HB, MIDGET, 2 ROPE FOR M-1184-A
2	FS310	6	WASHER,L,1/4, PLAIN
1	FS109	6	SCREW,HHCS,1/4-20x1/2,GR2,PLAIN
ITEM #	PART NO.	QTY	DESCRIPTION

* Note: The Latch Kit, (item #12) is provided on the Hook Assembly (Item #5). The Latch Kit is also available for individual purchase.
 ** For hook blocks with a heat shield, use P531-P28