

# CAPACITY 10,000 LBS.

INFORMATION REQUIRED  
SEE SHEET 2 FOR SPECIFICATIONS

TRACK SIZE:

\_\_\_\_\_

FLANGE WIDTH:

\_\_\_\_\_

FLANGE THICKNESS:

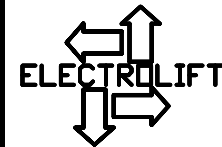
\_\_\_\_\_

DIMENSION "A": \_\_\_\_\_

SPACER REQUIRED:

NO  
 YES

DIMENSION "B": \_\_\_\_\_



ELECTROLIFT, INC.  
204 SARGEANT AVE.  
CLIFTON, NJ 07013  
PH: 973-471-0204  
FAX: 973-471-2814  
www.electrolift.com

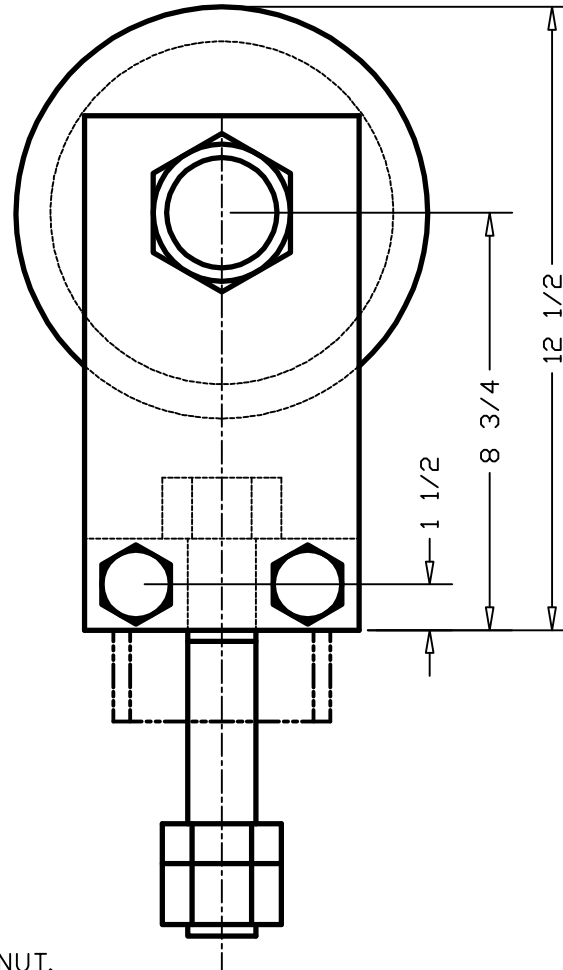
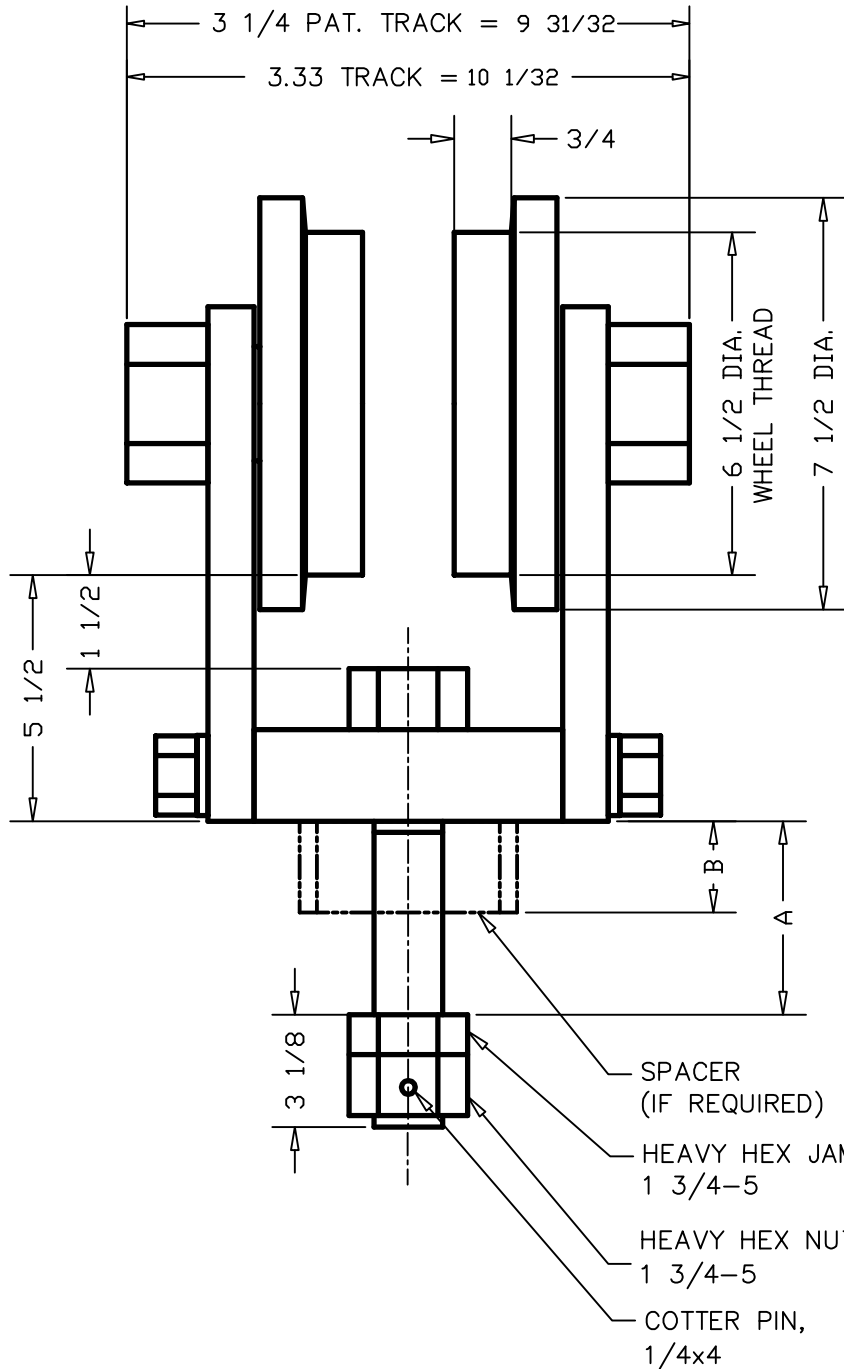
REV.	ECO#	DATE	BY:
------	------	------	-----

IDLER TROLLEY PART NUMBER: M1188C

DATE: 12/12/07	SCALE: NONE	DWG SIZE: A	DRAWN BY: DR
----------------	-------------	-------------	--------------

DRAWING NO.:

M1188C-WPDF  
SHEET 1 OF 2



**CAPACITY  
10,000 LBS.**

**SPECIFICATIONS**

PROVIDE SHEET 1 TO ELECTROLIFT

**GENERAL NOTES:**

1. CAPACITY OF TROLLEY IS NOT TO BE EXCEEDED
2. FACTOR OF SAFETY 5 TO 1 MINIMUM
3. VISTA GREEN ENAMAL PAINT STANDARD
4. NOT DESIGNED FOR TRAVERSING TRACKS WITH A RADIUS.
5. CONSULT ELECTROLIFT'S SALES DEPARTMENT FOR ADDITIONAL FEATURES

**WHEEL ASSEMBLY**

STANDARD HARDENED WHEEL:  
BRINELL 475/ROCKWELL C50  
BEARING L10HR LIFE:  
8039 HRS AT 50 FPM

**TRACK TYPE**

PATENTED TRACKS: FLAT PROFILE AS SHOWN  
S-BEAM TRACK: SEE TROLLEY M1188B  
W-BEAM TRACK: SEE TROLLEY M1188B

**SPACER LENGTH**

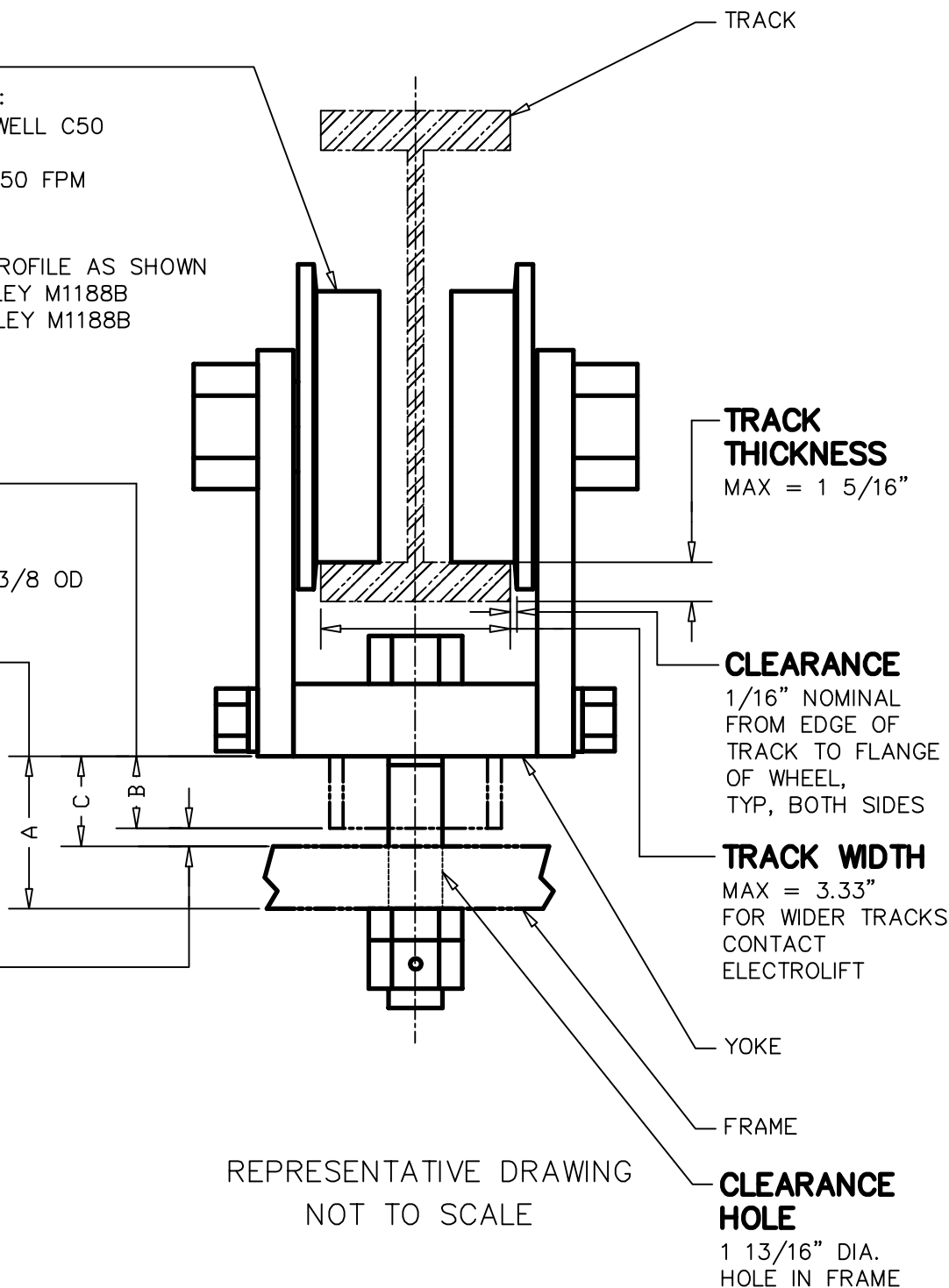
REQUIRED IF DIMENSION "C"  
EXCEEDS 1/2"  
MATERIAL = TUBING, 2 IDx2-3/8 OD

**BOLT SPAN**

2 3/4" MAX.  
FOR LARGER DIMENSIONS,  
CONTACT  
ELECTROLIFT

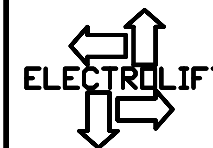
**GAP**

1/8" MIN. GAP REQUIRED  
FROM BOTTOM OF YOKE  
OR SPACER TO BOTTOM  
OF FRAME



REPRESENTATIVE DRAWING  
NOT TO SCALE

**CLEARANCE HOLE**  
1 13/16" DIA.  
HOLE IN FRAME



ELECTROLIFT, INC.  
204 SARGEANT AVE.  
CLIFTON, NJ 07013  
PH: 973-471-0204  
FAX: 973-471-2814  
www.electrolift.com

REV.	ECO#	DATE	BY:
IDLER TROLLEY PART NUMBER: M1188C			
DATE: 12/12/07	SCALE: NONE	DWG SIZE: A	DRAWN BY: DR
DRAWING NO: M1188C-WPDF			
SHEET 2 OF 2			