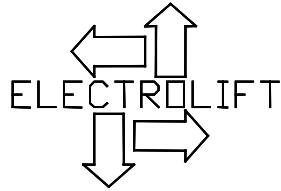
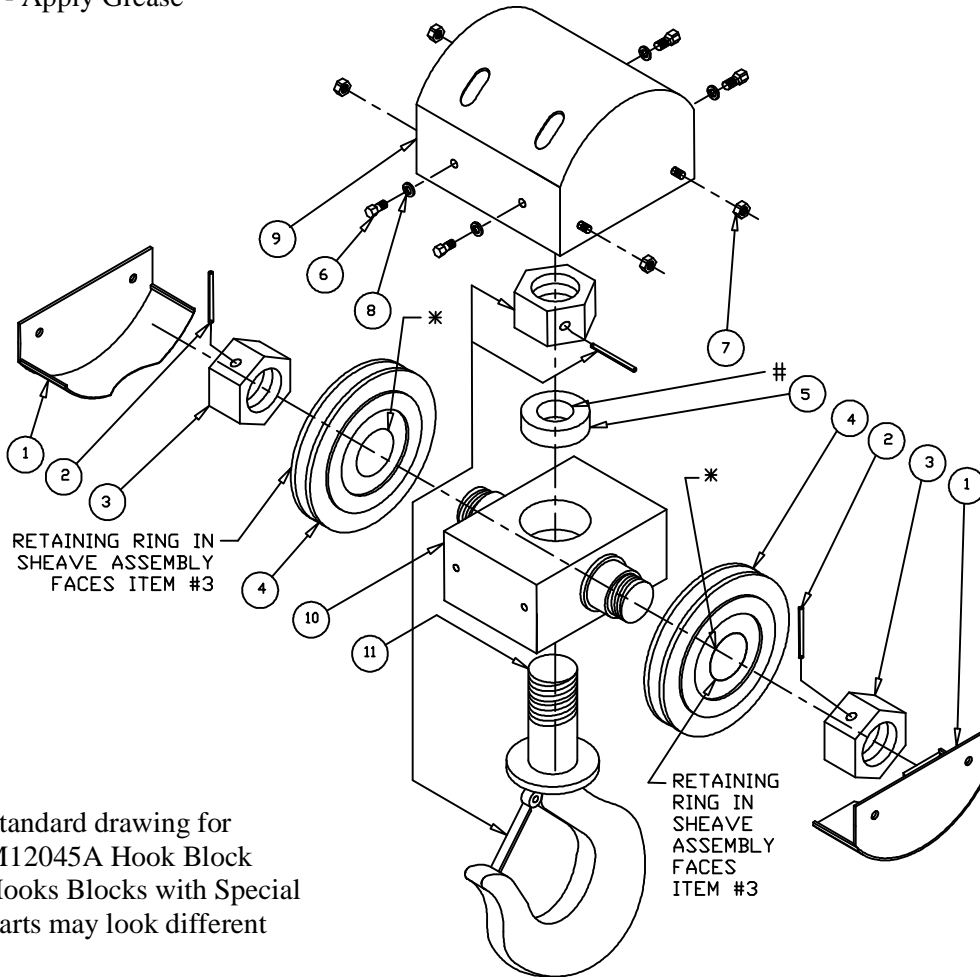


Parts List
 Customer Service:
 1-800-338-9951



M12045A Hook Block
 Issue 4: 2/14/08

- Apply Grease



Standard drawing for
 M12045A Hook Block
 Hooks Blocks with Special
 Parts may look different

Bill of Materials for Standard M12045A Hook Block

12	DM7237	1	LATCH KIT
11	P531P15	1	ASSY, HOOK, S319AN, 11T SWL, M-12045-A STANDARD
10	K10515A	1	YOKE, HOOK BLOCK, C HOIST, 6-7-1/2 TON
9	M12046	1	GUARD, HB, C, LO-HDR
8	FS312	4	WASHER, L, 5/16
7	FS293	4	NUT, NYLONINSERT, 5/16-18
6	FS119	4	SCREW, HHCS, 5/16-18x1/2
5	DM7196	1	BEARING, THR, T151W, 1.51 ID, 2.85 OD, .84 W
4	K10516A	2	SHEAVE, HB, LO-HD, M-12045-A
3	FS365	2	NUT, JAM, HEX, 1-7/8-12
2	FS546	2	PIN, ROLL, 3/16x2-1/2
1	K10520	2	GUARD, HB, SHEAVE, LOWER
ITEM #	PART NO.	QTY	DESCRIPTION

* Note: The Latch Kit, (item #12) is provided on the Hook Assembly (Item #11) The Latch Kit is also available for individual purchase.