

**CAPACITY  
20,000 LBS.**

**FACTOR OF SAFETY  
5 TO 1 MINIMUM**

**SPECIFICATIONS:**

**1. WIRE ROPE:**

FOR USE WITH 9/16" DIAMETER  
WIRE ROPE

**2. SHEAVES:**

QUANTITY = 2  
PITCH DIAMETER = 10"  
MATERIAL =

FOR STANDARD DUTY:  
CAST IRON SHEAVE  
WITH ROLLER BEARING

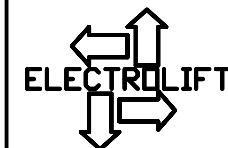
FOR HEAVY DUTY  
(UPON REQUEST):  
STEEL SHEAVE WITH  
ROLLER BEARING

**4. HOOK ASSEMBLY PART NUMBER:**

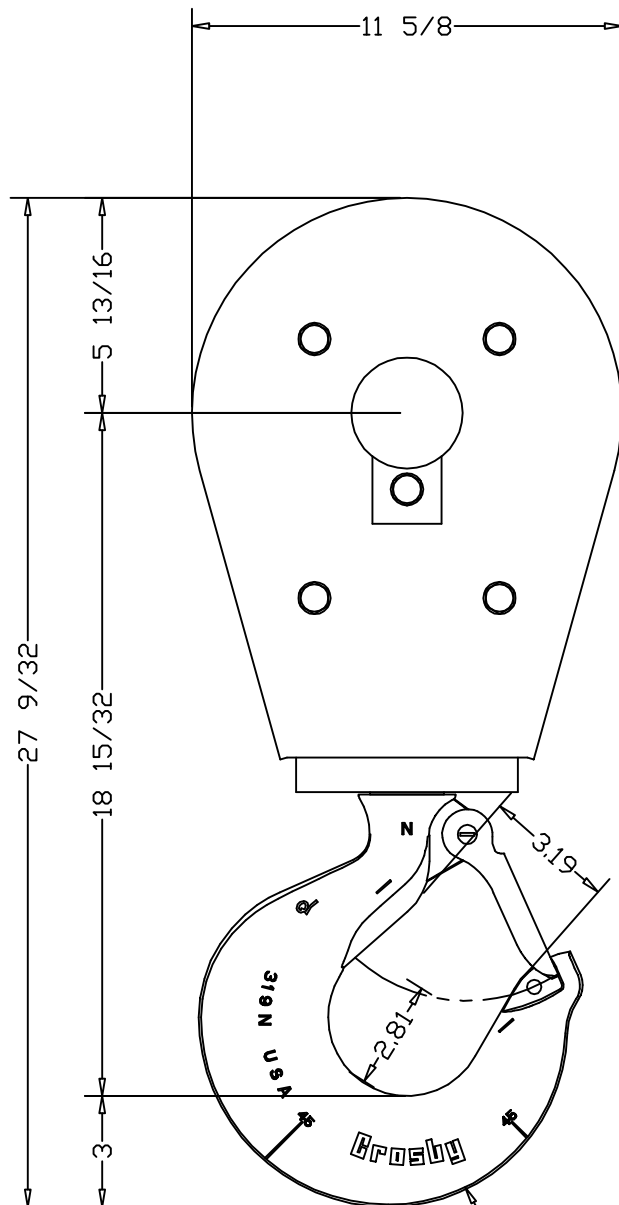
P531P11 HOOK ASSEMBLY  
MADE FROM CROSBY S-319CN  
15 TON CARBON HOOK PART  
#1028581

**5. WEIGHT:**

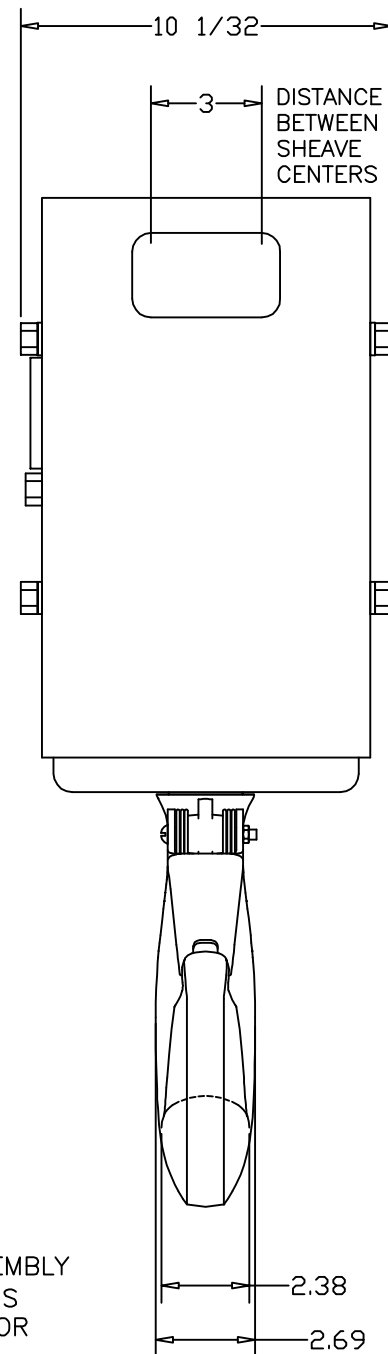
235 LBS



ELECTROLIFT, INC.  
204 SARGEANT AVE.  
CLIFTON, NJ 07013  
PH: 973-471-0204  
FAX: 973-471-2814  
www.electrolift.com



STANDARD HOOK ASSEMBLY  
CONTACT ELECTROLIFT'S  
SALES DEPARTMENT FOR  
OTHER OPTIONS.



REV.	ECO#	DATE	BY:
STANDARD HOOK BLOCK:			
M2535A			
DATE:	SCALE:	DWG SIZE:	DRAWN BY:
2/26/08	1/5	A	DR

DRAWING NO:  
M2535A-WPDF