

**CAPACITY  
15,000 LBS.**

**FACTOR OF SAFETY  
5 TO 1 MINIMUM**

**SPECIFICATIONS:**

**1. WIRE ROPE:**

FOR USE WITH 3/8" OR 7/16"  
DIAMETER WIRE ROPE

**2. SHEAVES:**

QUANTITY = 2  
PITCH DIAMETER = 8"  
MATERIAL =

FOR STANDARD DUTY:  
CAST IRON SHEAVE  
WITH BRONZE BEARING

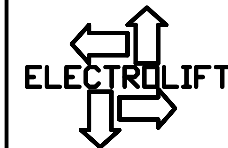
FOR HEAVY DUTY  
(UPON REQUEST):  
STEEL SHEAVE WITH  
BRONZE BEARING

**4. HOOK ASSEMBLY PART NUMBER:**

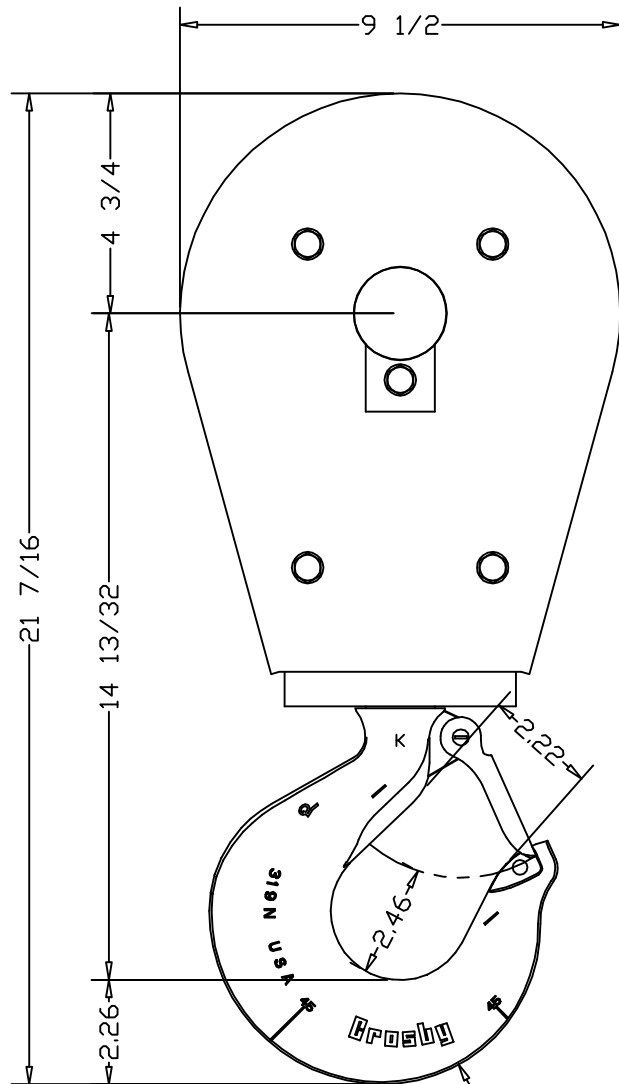
P531P12 HOOK ASSEMBLY  
MADE FROM CROSBY S-319CN  
11 TON  
ALLOY HOOK PART #1028765

**5. WEIGHT:**

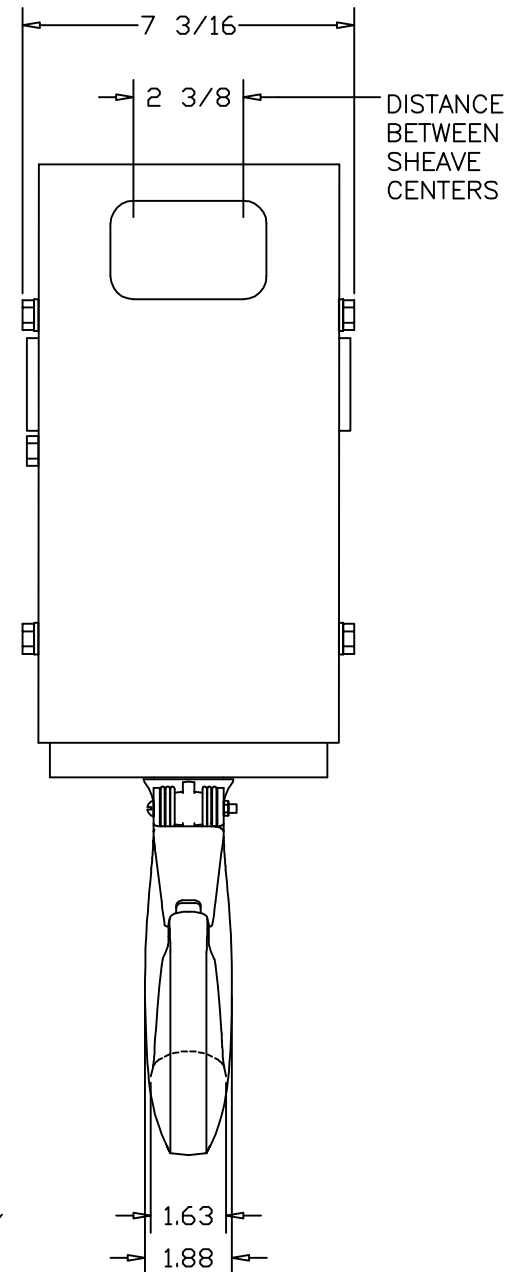
111 LBS



ELECTROLIFT, INC.  
204 SARGEANT AVE.  
CLIFTON, NJ 07013  
PH: 973-471-0204  
FAX: 973-471-2814  
www.electrolift.com



STANDARD HOOK ASSEMBLY  
CONTACT ELECTROLIFT'S  
SALES DEPARTMENT FOR  
OTHER OPTIONS.



REV.	ECO#	DATE	BY:
STANDARD HOOK BLOCK:			
M2536A			
DATE:	SCALE:	DWG SIZE:	DRAWN BY:
2/26/08	1/4	A	DR

DRAWING NO.:

M2536A-WPDF