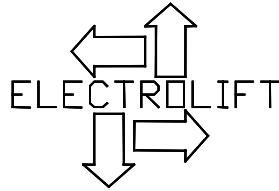
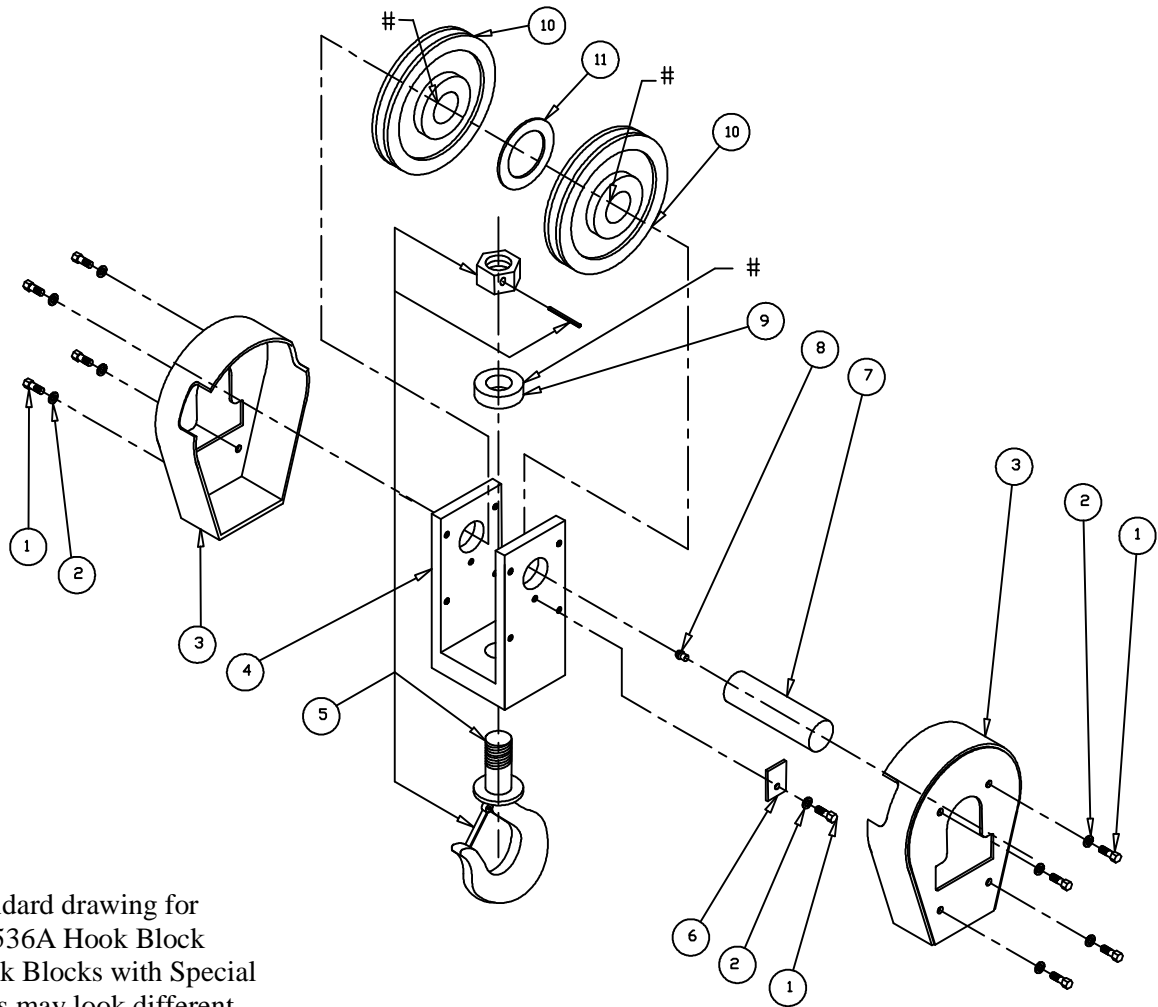


Parts List
 Customer Service:
 1-800-338-9951



M2536A Hook Block
 Issue 5: 5/18/11

- Apply Grease



Standard drawing for
 M2536A Hook Block
 Hook Blocks with Special
 Parts may look different

Bill of Materials for Standard M2536A Hook Block

12*	DM7237	1	LATCH KIT
11	FS630	1	WASHER,FLAT,2,(2-1/8IDx3-3/4ODx3/16),PLATED
10	K180P2	2	SHEAVE, 8 PD, 3/8-7/16 CABLE, C HOIST
9	DM7196	1	BEARING, THR, T151W, 1.51 ID, 2.85 OD, .84 W
8	FS346	1	FITTING,GREASE,DRIVE,STRAIGHT,1/4x35/64,ALEMITE 1743-B
7	K1972	1	PIN, SHEAVE, M2536 &M2537
6	K1949	1	LOCKING PIECE, TYPE C, 4 ROPE, HB
5**	P531P12	1	ASSY,HOOK, S319AN, 11 SWL, M-2536-A
4	M2536AP1	1	YOKE, HOOK BLOCK, M-2536-A
3	M12855	2	GUARD, HB, C, 4 ROPE, LARGE SLOT
2	FS315	9	WASHER,L,3/8, PLAIN
1	FS129	9	SCREW,HHCS,3/8-16x1,GR2,PLAIN
ITEM #	PART NO.	QTY	DESCRIPTION

* Note: The Latch Kit, (item #12) is provided on the Hook Assembly (Item #5). The Latch Kit is also available for individual purchase.

** For hook blocks with a heat shield, use P531-P35