

# CAPACITY 4000 LBS.

INFORMATION REQUIRED  
SEE SHEET 2 FOR SPECIFICATIONS

TRACK SIZE: \_\_\_\_\_

FLANGE WIDTH: \_\_\_\_\_

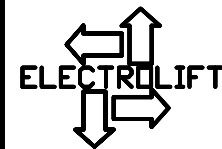
FLANGE THICKNESS: \_\_\_\_\_

DIMENSION "A": \_\_\_\_\_

SPACER REQUIRED:

NO  
 YES

DIMENSION "B": \_\_\_\_\_

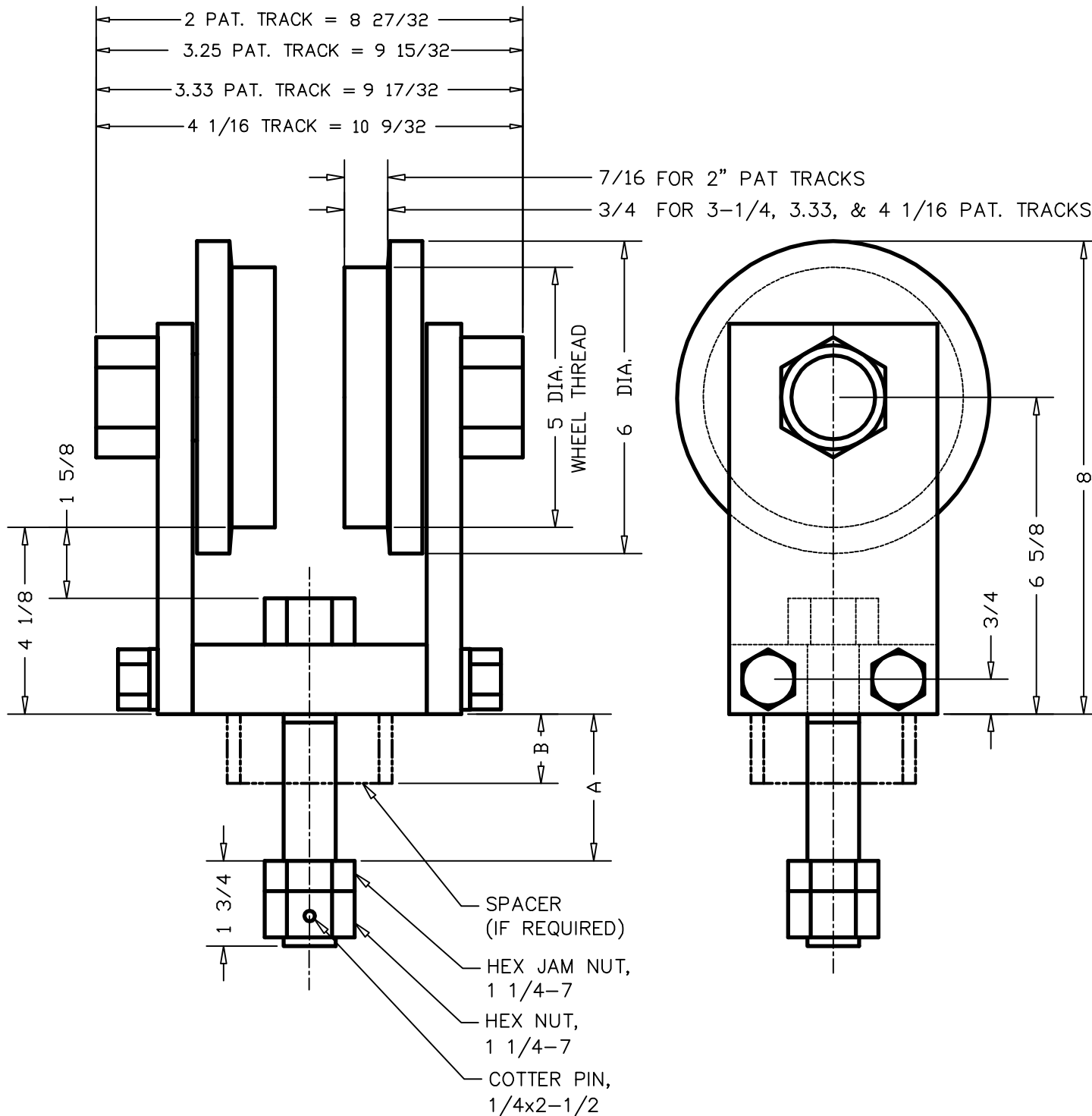


ELECTROLIFT, INC.  
204 SARGEANT AVE.  
CLIFTON, NJ 07013  
PH: 973-471-0204  
FAX: 973-471-2814  
www.electrolift.com

REV.	ECO#	DATE	BY:
IDLER TROLLEY PART NUMBER: M2551C			
DATE: 12/12/07	SCALE: NONE	DWG SIZE: A	DRAWN BY: DR

DRAWING NO: M2551C-WPDF

SHEET 1 OF 2



# CAPACITY 4000 LBS.

## SPECIFICATIONS

PROVIDE SHEET 1 TO ELECTROLIFT

### GENERAL NOTES:

1. CAPACITY OF TROLLEY IS NOT TO BE EXCEEDED
2. FACTOR OF SAFETY 5 TO 1 MINIMUM
3. VISTA GREEN ENAMAL PAINT STANDARD
4. NOT DESIGNED FOR TRAVERSING TRACKS WITH A RADIUS.
5. CONSULT ELECTROLIFT'S SALES DEPARTMENT FOR ADDITIONAL FEATURES

### WHEEL ASSEMBLY

STANDARD HARDENED WHEEL:  
BRINELL 475/ROCKWELL C50  
BEARING L10HR LIFE:  
38,480 HRS AT 50 FPM

### TRACK TYPE

PATENTED TRACKS: FLAT PROFILE AS SHOWN  
S-BEAM TRACK: SEE TROLLEY M1180B  
W-BEAM TRACK: SEE TROLLEY M1180B

### SPACER LENGTH

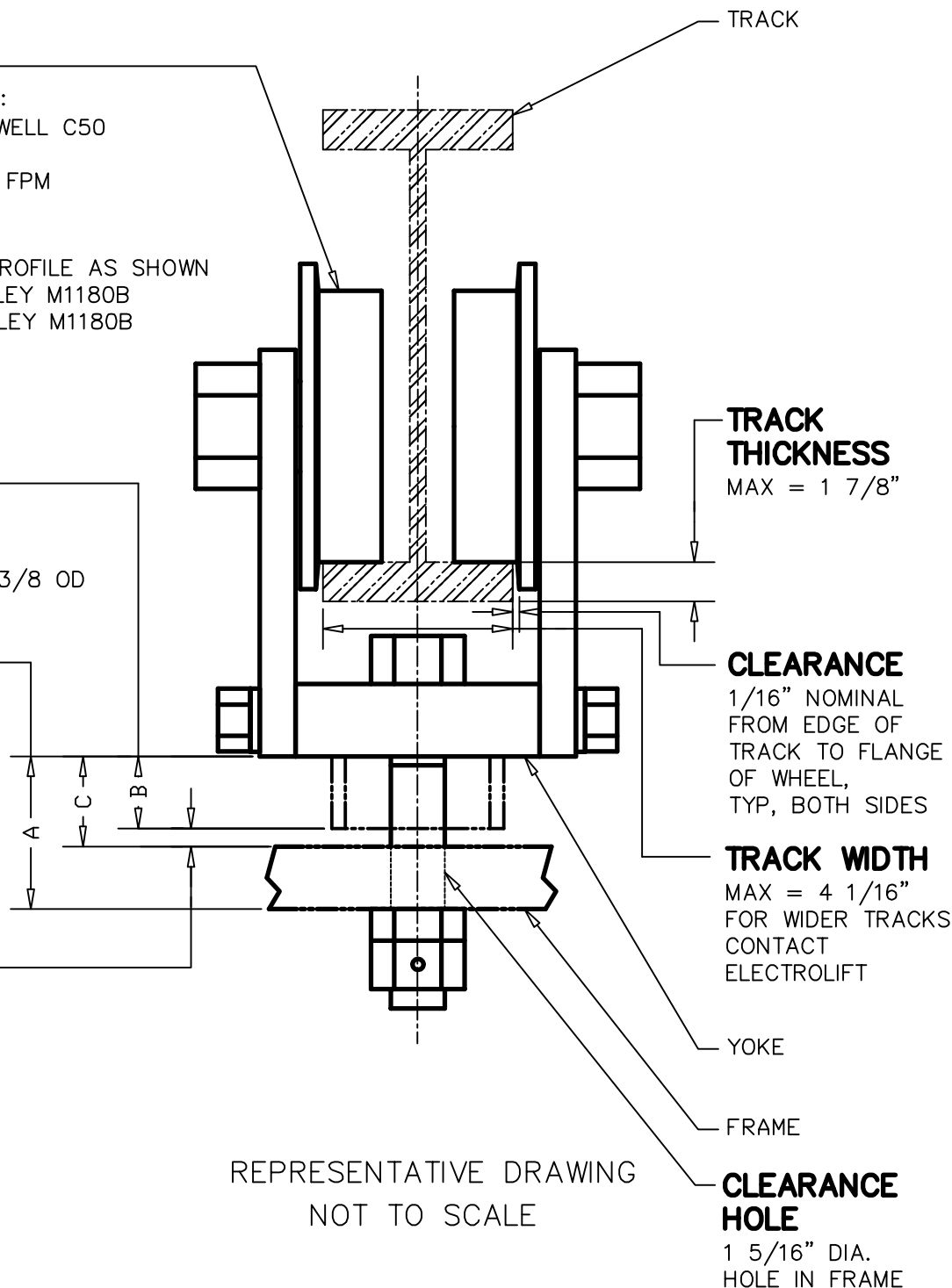
REQUIRED IF DIMENSION "C"  
EXCEEDS 1/2"  
MATERIAL = TUBING, 2 IDx2-3/8 OD

### BOLT SPAN

2 1/4" MAX.  
FOR LARGER DIMENSIONS,  
CONTACT  
ELECTROLIFT

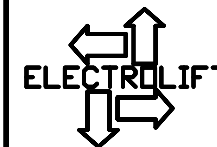
### GAP

1/8" MIN. GAP REQUIRED  
FROM BOTTOM OF YOKE  
OR SPACER TO BOTTOM  
OF FRAME



REPRESENTATIVE DRAWING  
NOT TO SCALE

**CLEARANCE HOLE**  
1 5/16" DIA.  
HOLE IN FRAME



ELECTROLIFT, INC.  
204 SARGEANT AVE.  
CLIFTON, NJ 07013  
PH: 973-471-0204  
FAX: 973-471-2814  
www.electrolift.com

REV.	ECO#	DATE	BY:
IDLER TROLLEY PART NUMBER: M2551C			
DATE: 12/12/07	SCALE: NONE	DWG SIZE: A	DRAWN BY: DR
DRAWING NO: M2551C-WPDF			
SHEET 2 OF 2			