

TROLLEY INFORMATION REQUIRED:

MOTOR VOLTAGE:

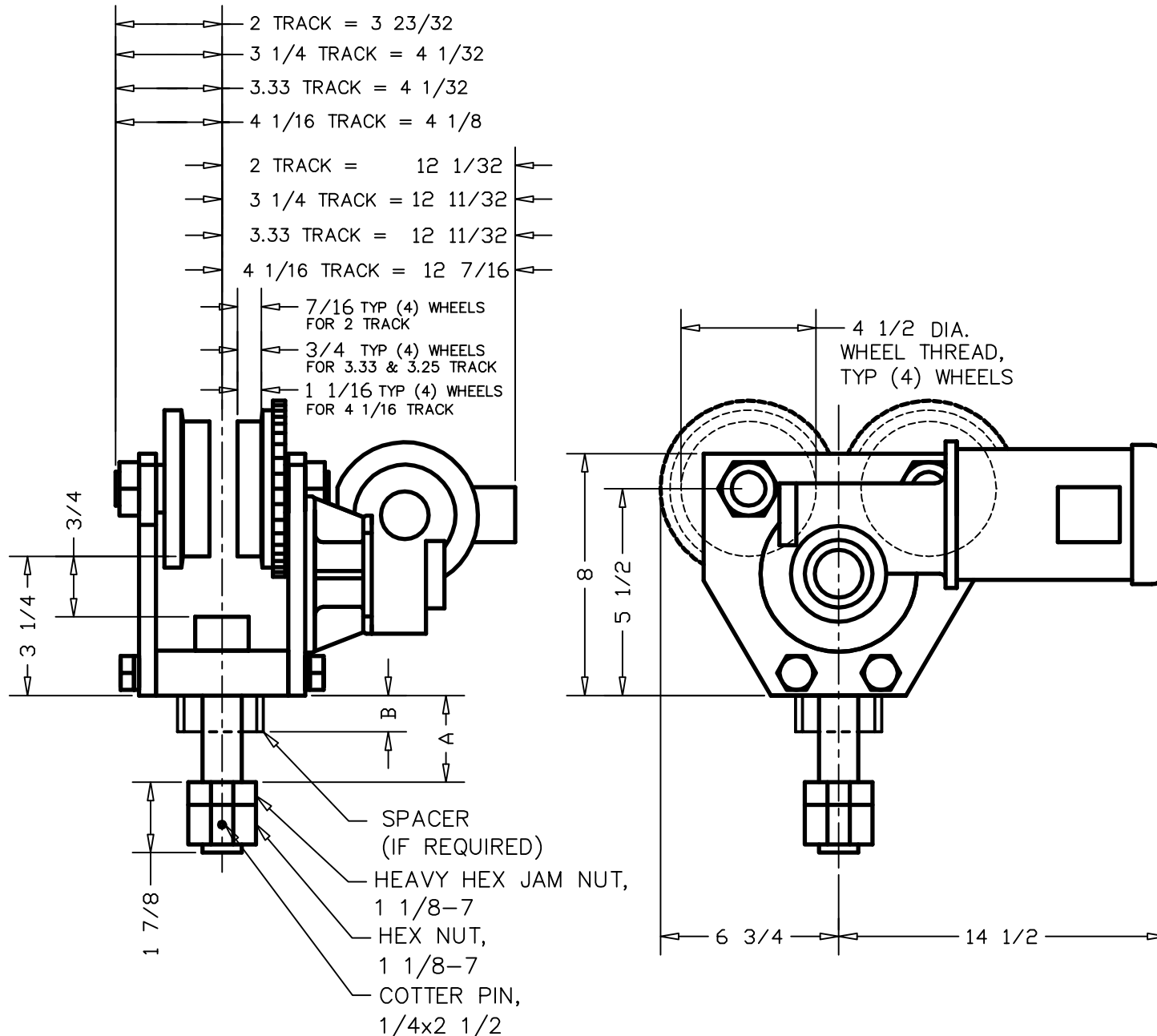
208 VOLTS     230 VOLTS     460 VOLTS

TROLLEY SPEED:

21 FPM     35 FPM     53 FPM     70 FPM  
 84 FPM     106 FPM     141 FPM

**CAPACITY  
3000 LBS.**

INFORMATION REQUIRED  
SEE SHEET 2 FOR SPECIFICATIONS



TRACK SIZE: \_\_\_\_\_

FLANGE WIDTH: \_\_\_\_\_

FLANGE THICKNESS: \_\_\_\_\_

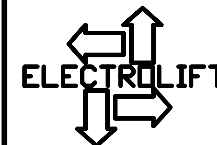
DIMENSION "A": \_\_\_\_\_

SPACER REQUIRED:

NO

YES

DIMENSION "B": \_\_\_\_\_



ELECTROLIFT, INC.  
 204 SARGEANT AVE.  
 CLIFTON, NJ 07013  
 PH: 973-471-0204  
 FAX: 973-471-2814  
 www.electrolift.com

REV.	ECO#	DATE	BY:
SIDE DRIVEN TROLLEY PART NUMBER: M2632C			
DATE: 12/12/07	SCALE: NONE	DWG SIZE: A	DRAWN BY: DR

DRAWING NO:  
**M2632C-WPDF**  
 SHEET 1 OF 2

**WHEEL ASSEMBLY**

STANDARD HARDENED WHEEL:  
BRINELL 475/ROCKWELL C50  
BEARING L10HR LIFE:  
111,424 HRS AT 53 FPM

**TRACK TYPE**

PATENTED TRACKS: FLAT PROFILE AS SHOWN  
S-BEAM TRACK: SEE TROLLEY M2632B  
W-BEAM TRACK: SEE TROLLEY M2632B

**SPACER LENGTH**

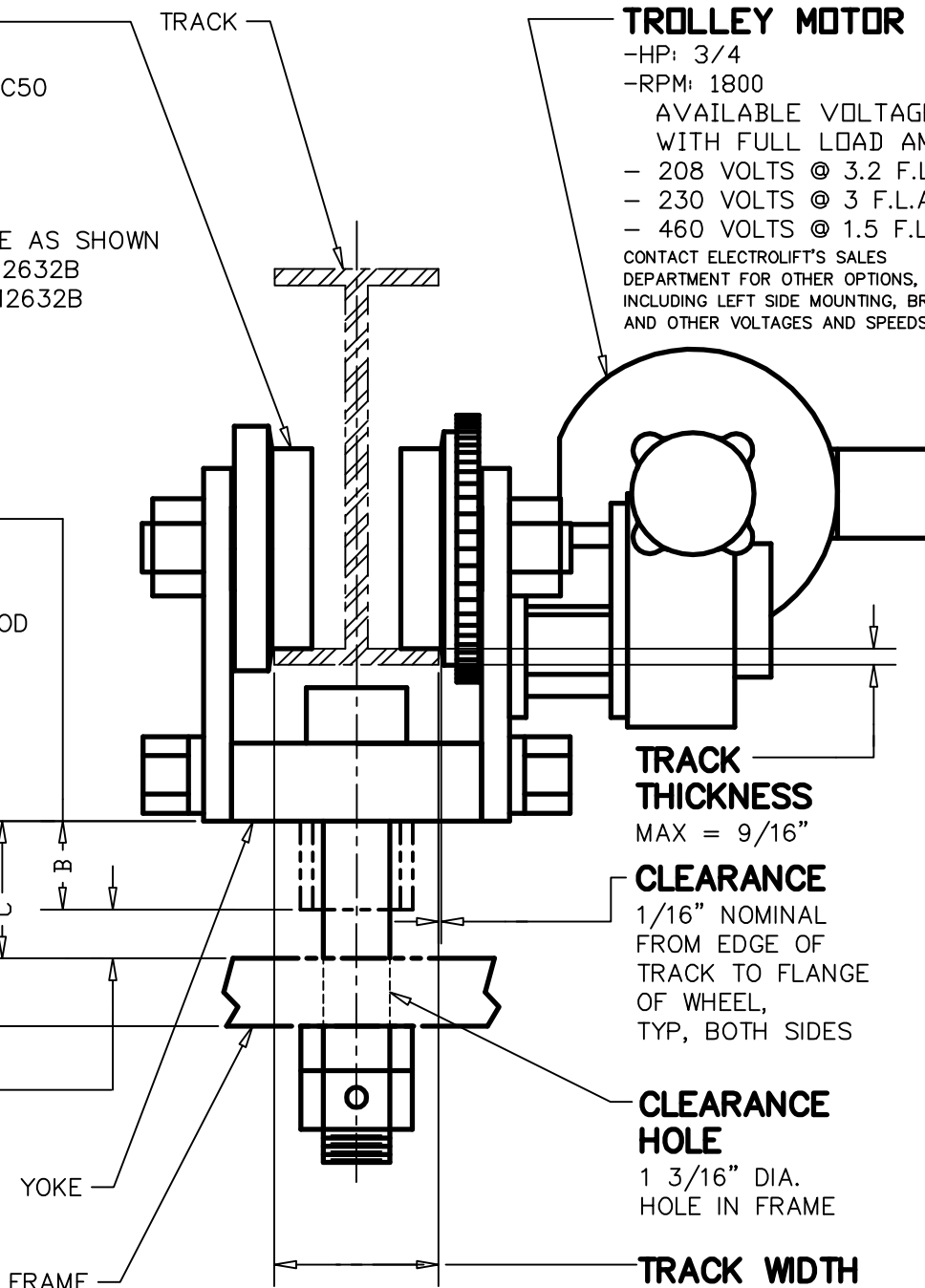
REQUIRED IF DIMENSION "C"  
EXCEEDS 1/2"  
MATERIAL = TUBING, 2 IDx2-3/8 OD

**BOLT SPAN**

1 3/4" MAX  
FOR LARGER  
DIMENSIONS,  
CONTACT  
ELECTROLIFT

**GAP**

1/8" MIN. GAP REQUIRED  
FROM BOTTOM OF YOKE  
OR SPACER TO BOTTOM  
OF FRAME



**TROLLEY MOTOR**

-HP: 3/4  
-RPM: 1800  
AVAILABLE VOLTAGES  
WITH FULL LOAD AMPS:  
- 208 VOLTS @ 3.2 F.L.A.  
- 230 VOLTS @ 3 F.L.A.  
- 460 VOLTS @ 1.5 F.L.A.  
CONTACT ELECTROLIFT'S SALES  
DEPARTMENT FOR OTHER OPTIONS,  
INCLUDING LEFT SIDE MOUNTING, BRAKES  
AND OTHER VOLTAGES AND SPEEDS.

**CAPACITY  
3000 LBS.**

**SPECIFICATIONS**

PROVIDE SHEET 1 TO ELECTROLIFT

**TROLLEY SPEEDS**

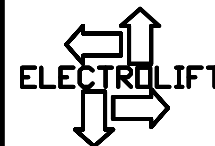
AVAILABLE ON STANDARD 3/4 HP  
1800 RPM MOTOR:

21 FPM    70 FPM  
35 FPM    84 FPM  
53 FPM    106 FPM  
            141 FPM

CONTACT ELECTROLIFT'S SALES  
DEPARTMENT FOR OTHER  
AVAILABLE SPEEDS

**GENERAL NOTES:**

1. CAPACITY OF TROLLEY IS NOT TO BE EXCEEDED
2. FACTOR OF SAFETY 5 TO 1 MINIMUM
3. VISTA GREEN ENAMAL PAINT STANDARD
4. NOT DESIGNED FOR TRAVERSING TRACKS WITH A RADIUS.
5. CONSULT ELECTROLIFT'S SALES DEPARTMENT FOR ADDITIONAL FEATURES



ELECTROLIFT, INC.  
204 SARGEANT AVE.  
CLIFTON, NJ 07013  
PH: 973-471-0204  
FAX: 973-471-2814  
www.electrolift.com

REV.	ECO#	DATE	BY:
SIDE DRIVEN TROLLEY PART NUMBER: M2632C			
DATE: 12/12/07	SCALE: NONE	DWG SIZE: A	DRAWN BY: DR
DRAWING NO: M2632C-WPDF			
SHEET 2 OF 2			

REPRESENTATIVE DRAWING  
NOT TO SCALE

**TRACK WIDTH**  
MAX = 4 1/16"  
FOR WIDER TRACKS  
CONTACT  
ELECTROLIFT

**TRACK THICKNESS**  
MAX = 9/16"  
**CLEARANCE**  
1/16" NOMINAL  
FROM EDGE OF  
TRACK TO FLANGE  
OF WHEEL,  
TYP, BOTH SIDES

**CLEARANCE HOLE**  
1 3/16" DIA.  
HOLE IN FRAME