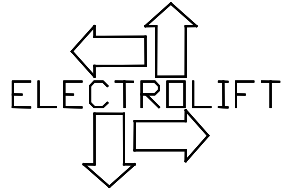
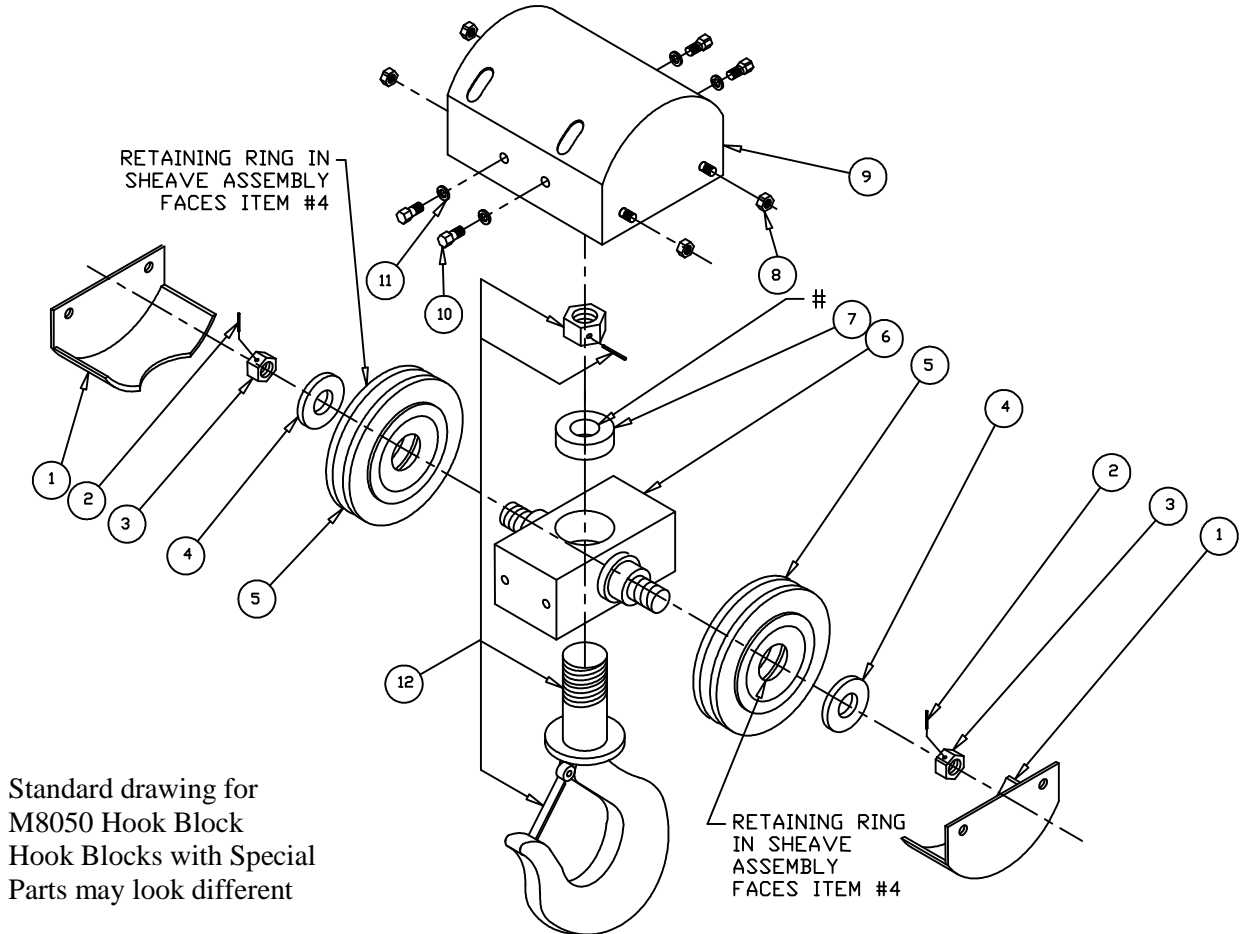


Parts List  
 Customer Service:  
 1-800-338-9951



M8050 Hook Block  
 Issue 3: 10/4/04

# - Apply Grease



Standard drawing for  
 M8050 Hook Block  
 Hook Blocks with Special  
 Parts may look different

Bill of Materials for Standard M8050 Hook Block

13*	DM7307	1	LATCH KIT
12**	P531P19	1	HOOK, LOW-HEAD, S319AN, 5T SWL
11	FS312	4	WASHER, L, 5/16
10	FS122	4	SCREW, HHCS, 5/16-18x7/8, GR2, PLAIN
9	M3000A	1	GUARD, HB, SHEAVE, UPPER
8	FS293	4	NUT, NYLONINSERT, 5/16-18
7	DM7292	1	BEARING, THR, 610, 1 ID, 2 OD, .62 W
6	K3473	1	YOKE, HOOK BLOCK, B HOIST, 2 & 3 TON
5	K3474	2	SHEAVE, HB, LO-HD, M-8050
4	K3475	2	RETAINER, SHEAVE, L-H HOOK BLOCK,
3	FS275	2	NUT, HVY HEX, 7/8-14, GR2, PLAIN
2	FS549	2	PIN, ROLL, 5/32x1-1/4
1	K3482	2	GUARD, SHEAVE, LOWER, EL LOW-HEAD
ITEM #	PART NO.	QTY	DESCRIPTION

\* Note: The Latch Kit, (item #13) is provided on the Hook Assembly (Item #12). The Latch Kit is also available for individual purchase.  
 \*\* For hook blocks with a heat shield, use P531-P21