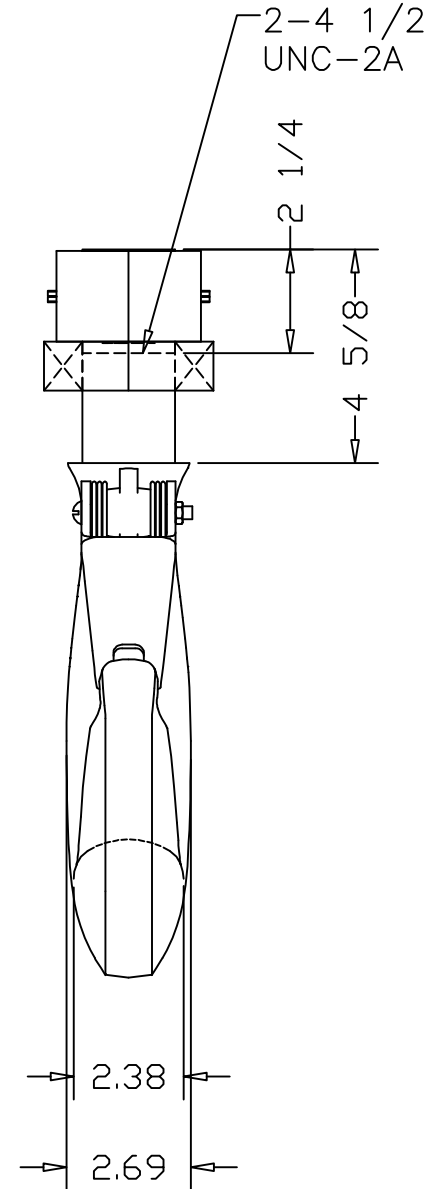
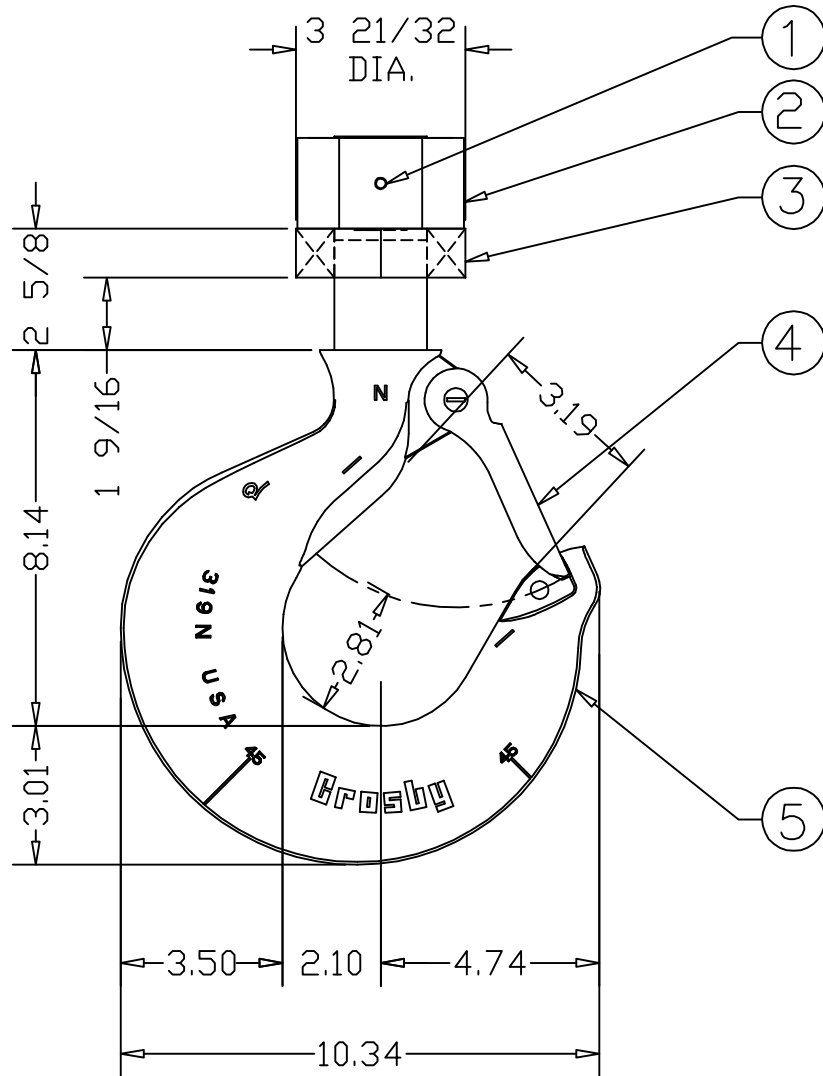
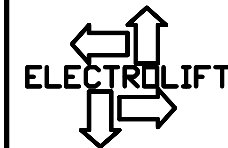


**WORKING LOAD
20,000 LBS.**

**FACTOR OF SAFETY
5 TO 1 MINIMUM**



5	--	HOOK ASSEMBLY MADE FROM CROSBY S-319CN 15 TON CARBON HOOK PART #1028581
4	DM7356	LATCH KIT ALSO AVAILABLE FOR INDIVIDUAL PURCHASE
3	DM7198	THRUST BEARING RATED FOR 19,400 LBS SOLD SEPARATELY FROM HOOK ASSEMBLY
2	FS535	2-4 1/2 HEX NUT
1	FS223	1/4 x 3-1/2 ROLL PIN
ITEM NO.	PART NO.	DESCRIPTION



ELECTROLIFT, INC.
204 SARGEANT AVE.
CLIFTON, NJ 07013
PH: 973-471-0204
FAX: 973-471-2814
www.electrolift.com

REV.	ECO#	DATE	BY:
STANDARD HOOK ASSEMBLY: P531P11			
DATE: 11/27/07	SCALE: 1/4	DWG SIZE: A	DRAWN BY: DR

DRAWING NO:
P531P11-WPDF

* - ITEM #3 THRUST BEARING SOLD SEPARATELY