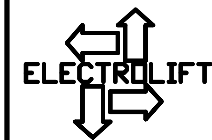


**WORKING LOAD  
3000 LBS.**

FACTOR OF SAFETY  
5 TO 1 MINIMUM

5	--	HOOK ASSEMBLY MADE FROM CROSBY S-319CN 2 TON CARBON HOOK PART #1028532
4	DM7080	LATCH KIT ALSO AVAILABLE FOR INDIVIDUAL PURCHASE
3	DM7682	THRUST BEARING RATED FOR 5770 LBS SOLD SEPARATELY FROM HOOK ASSEMBLY
2	FS258	3/4-10 HEX NUT
1	FS300	3/16 x 1-1/4 ROLL PIN
ITEM NO.	PART NO.	DESCRIPTION



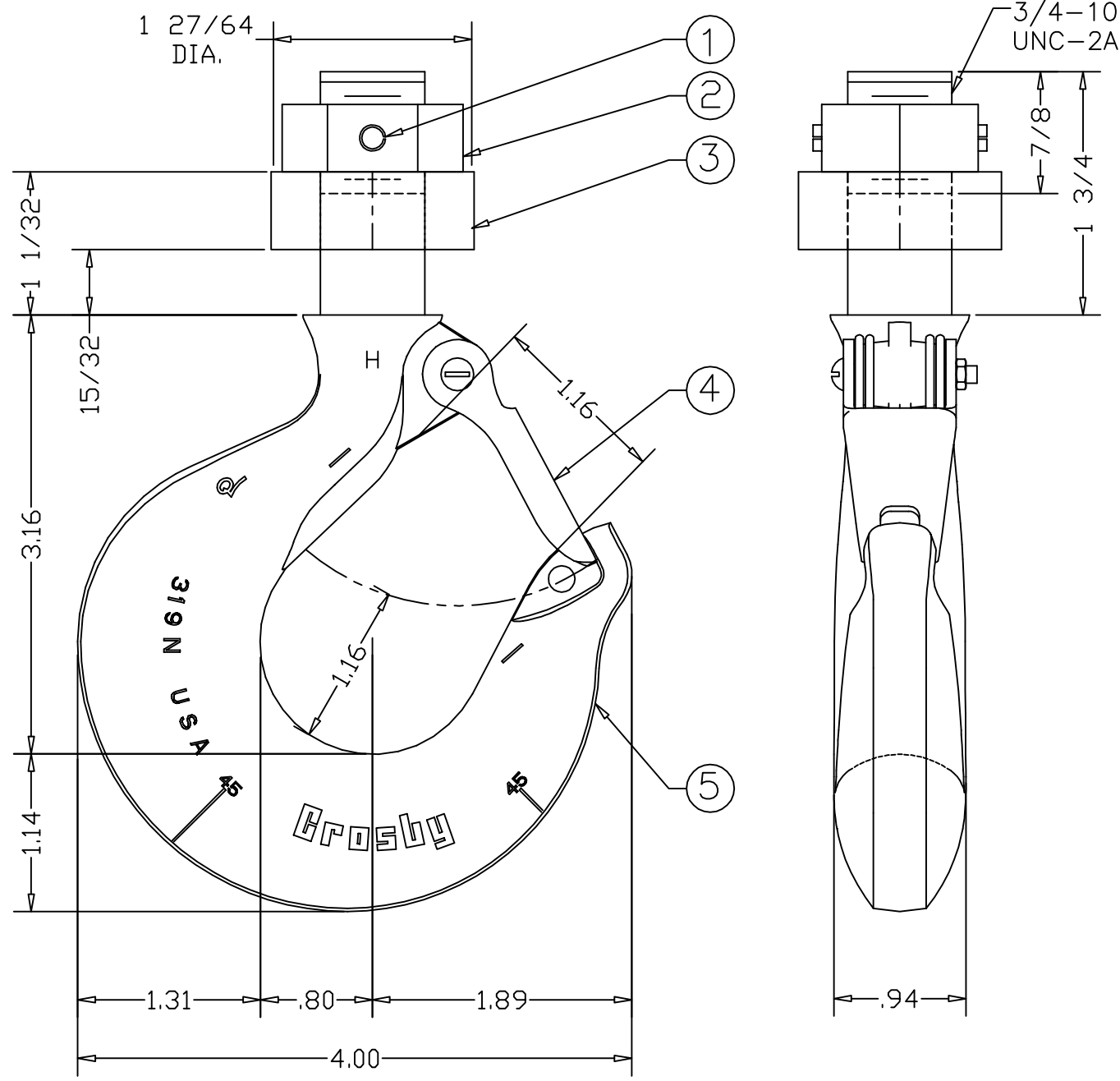
ELECTROLIFT, INC.  
204 SARGEANT AVE.  
CLIFTON, NJ 07013  
PH: 973-471-0204  
FAX: 973-471-2814  
www.electrolift.com

1	440	3/17/10	DR
REV.	ECO#	DATE	BY:

STANDARD HOOK ASSEMBLY:  
**P531P8**

DATE:	SCALE:	DWG SIZE:	DRAWN BY:
11/27/07	1/1	A	DR

DRAWING NO:  
**P531P8-WPDF**



\* - ITEM #3 THRUST BEARING SOLD SEPARATELY