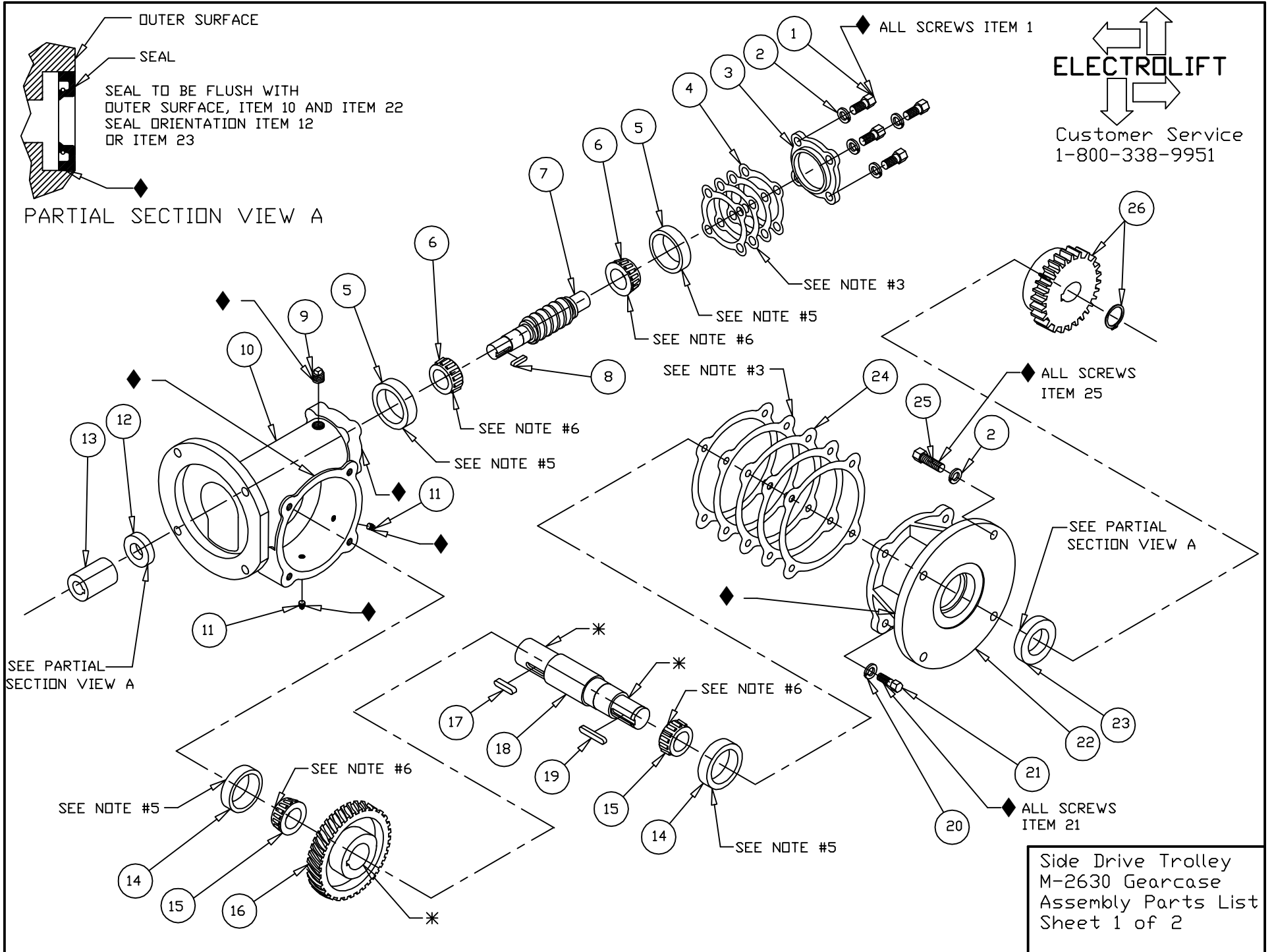


Service Bulletin Sheets Side Drive Trolley Gearbox M2630

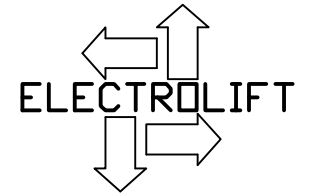
Iss. 2: 10/19/12

Reference Electro Lift M-2697-A1 thru M-2697-A4



**\*Note:**

Item #10 on Sheet 1 (P423) is a RIGHT-HAND Gearcase. If your Gearcase appears opposite, it is a LEFT-HAND Gearcase Part # P-424



Customer Service  
1-800-338-9951

**NOTES:**

- 1) \* - APPLY ANTISEIZE COMPOUND
- 2) ◆ - APPLY PERMATEx ULTRACOPPER SEALANT
- 3) USE THE SAME AMOUNT AND COLOR OF SHIMS AS ORIGINAL SET.
- 4) OIL CAPACITY 8 OZ. EXXON CYLESSTIC TK680 OR EQUIV. E/L P/N DM7146 MOBIL SHC 634 OR EQUIV. (SYNTHETIC) E/L P/N DM7381
- 5) PRESS ITEM INTO MATING HOUSING OR COVER
- 6) TO BE PRESSED ON MATING SHAFT
- 7.) WORM WHEEL & WORM SHAFT IDENTIFICATION CHART:

NO. OF TEETH	RATIO	WORM WHEEL P/N	WORM SHAFT P/N	USE WITH SPEED REDUCER SLEEVE
40	40	K958A	K957	K3271A
47	24	K3245AP6	K3244P6	K3271
33	16	K3245AP5	K3244P5	K3271
35	12	K3245AP4	K3244P4	K3271

**⊗ KIT NOTES:**

- A) THIS PART CAN ONLY BE ORDERED AS PART OF GEARCASE HARDWARE KIT #K11269.
- B) THIS PART CAN ONLY BE ORDERED AS PART OF GEARCASE BEARING KIT #K11164.
- C) THIS PART CAN ONLY BE ORDERED AS PART OF GEARCASE SEAL KIT #K11165.
- D) FOR SEALS & SHIMS, ORDER SEAL & SHIM KIT #K11283.
- E) PINION KITS CONSISTS OF :
  - a. K3183 PINION
  - b. DM7297, RET. RING, EXT, .9 ID, .042 THICK

26	KK3183	1	PINION KIT, JOB SPECIFIC	⊗SEE NOTE E
25	FS130	4	SCREW,HHCS,3/8-16x1-1/4, GR2,PLAIN	⊗SEE NOTE A
24	K10751	1	KIT, SHIM, SDT-M, SIDE COVER	
23	DM7035	1	SEAL, SHAFT, 1.25 ID, 2.12 OD	⊗SEE NOTE C
22	M2893	1	BRACKET, MTG, GEAR CASE, SDT	
21	FS122	4	SCREW,HHCS,5/16-18x7/8, GR2,PLAIN	⊗SEE NOTE A
20	FS312	4	WASHER,L,5/16 , PLAIN	⊗SEE NOTE A
19	K10846P3	1	KEY, 1/4x1/4x1-1/8	
18	K3270	1	SHAFT, SPEED REDUCER OUTPUT, M2630 AND M2646	
17	K10846P3	1	KEY, 1/4x1/4, 1-1/8, K4005, M2693	
16	----	1	WORM WHEEL, JOB SPECIFIC	-- SEE NOTE #7
15	DM7213	2	BEARING, TRB, CONE, 1.25 ID	⊗SEE NOTE B
14	DM7214	2	BEARING, TRB, CUP, 2.31 OD	⊗SEE NOTE B
13	---	1	SLEEVE, SPEED REDUCER, MOTOR, SHAFT	-- SEE NOTE #7
12	DM7034	1	SEAL, SHAFT, .75 ID, 1.50 OD	⊗SEE NOTE C
11	FS336	2	PIPEPLUG,1/8 SQHD,CAST IRON, SOLID	⊗SEE NOTE A
* 10	P423	1	GEAR CASE, TROLLEY, SDT, RH (SDT)	
9	FS339	1	PIPEPLUG,1/8 SQHD,STEEL,HOLE W/ VENT	⊗SEE NOTE A
8	K10845P3	1	KEY, 3/16x3/16, 1-11/16, K-3271 REDUCER SLEEVE	
7	----	1	WORM SHAFT, JOB SPECIFIC	-- SEE NOTE #7
6	DM7211	2	BEARING, TRB, CONE, .75 ID	⊗SEE NOTE B
5	DM7212	2	BEARING, TRB, CUP, 2.12 OD	⊗SEE NOTE B
4	K10752	1	KIT, SHIM, SDT-M, END COVER	
3	K960	1	COVER, END, GEAR CASE, M	
2	FS315	8	WASHER,L,3/8, PLAIN	⊗SEE NOTE A
1	FS466	4	SCREW,HHCS,3/8-16x7/8, GR2,PLAIN	⊗SEE NOTE A

ITEM #	PART #	QTY	DESCRIPTION
BILL OF MATERIALS			

Side Drive Trolley  
M-2630 Gearcase  
Assembly Parts List  
Sheet 2 of 2