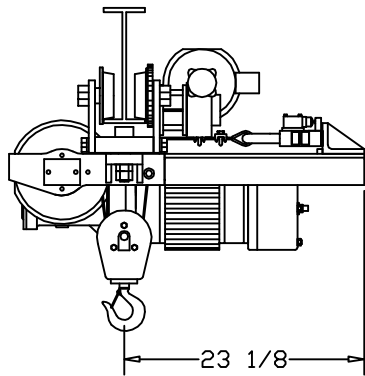


STANDARD OPTIONS:

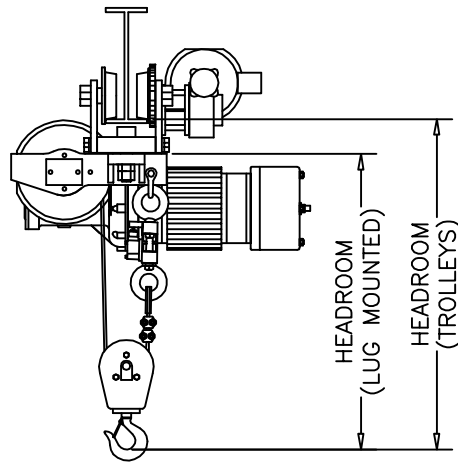
The following drawings show mechanical options that change overall hoist dimensions. Consult the factory for other available options.

Dillon Overload Switch
(Horizontal)



Dillon Overload Switch
(Vertical)

2 PART SINGLE—INCREASE HEADROOM BY 12-1/2"
4 PART SINGLE—NOT AVAILABLE

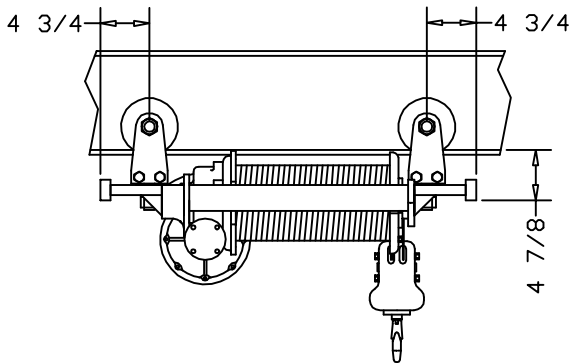


Application Notes:

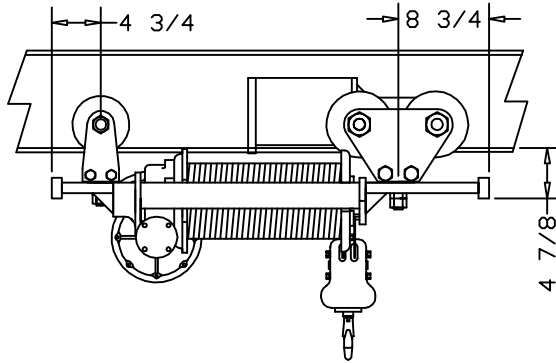
An overload switch will shut down the hoist up circuit when an overload condition exists. The switches are set to trip at a customer specified load level at the factory. The vertical configuration provides an economical solution where headroom loss is not an issue. The horizontal configuration provides overload protection without any loss of headroom.

Bumpers

Plain Trolleys



Side Drive Trolley

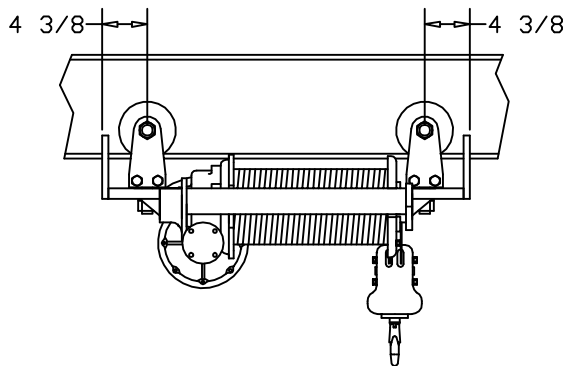


Application Notes:

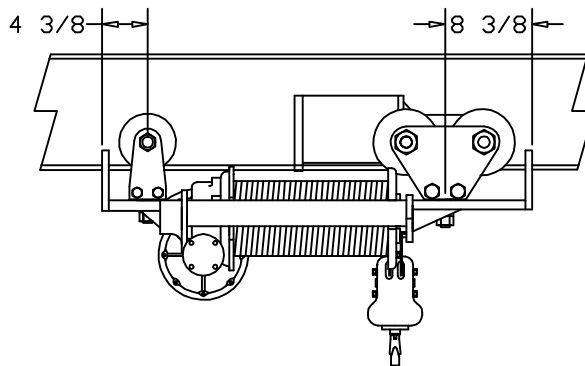
Neoprene bumpers reduce impact by absorbing energy when a moving hoist reaches the end of its permitted travel by contacting an end stop, or when two moving hoists come into contact with each other.

Safety Lugs

Plain Trolleys



Side Drive Trolley

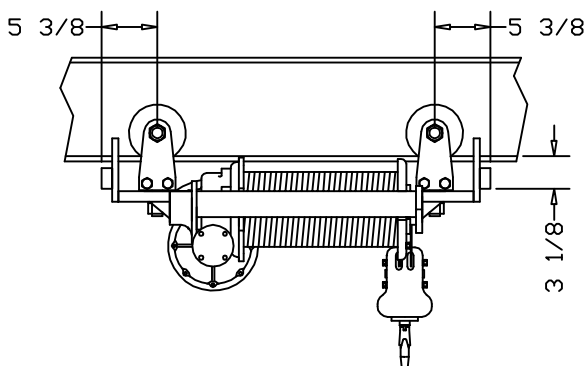


Application Notes:

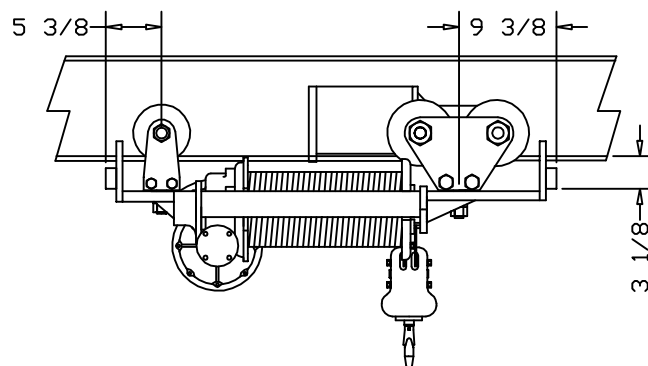
Safety lugs protect against any type of wheel, axle, or kingpin failure; the safety lug engages the bottom flange of the beam and prevents the hoist from falling. Safety lugs are required by ANSI in all hot metal applications.

Safety Lugs and Bumpers

Plain Trolleys



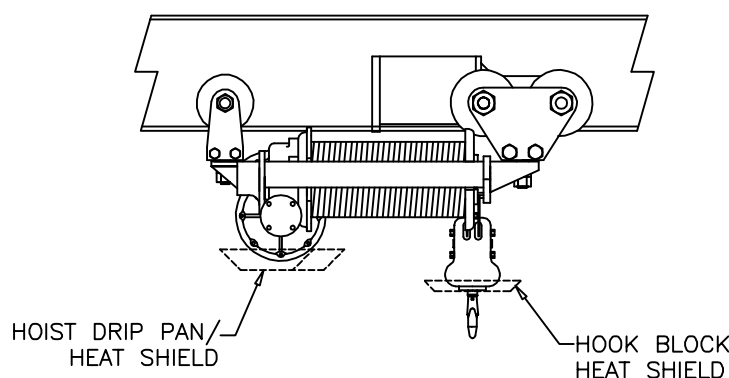
Side Drive Trolley



Application Notes:

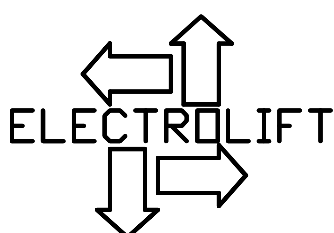
See above descriptions for 'Bumpers' and 'Safety Lugs'.

Drip Pan / Heat Shield



Application Notes:

Drip pans prevent any foreign material falling from the hoist onto the work area below. Heat shields are used to protect the hoist and/or hook block in applications where high temperatures are present. Heat shields underneath the entire hoist are available. Contact Sale department for more information.



ELECTROLIFT, INC.
204 SARGAENT AVE.
CLIFTON, NJ 07013
PH: 973-471-0204
FAX: 973-471-2814
www.electrolift.com

REV.	DATE	BY:
DATE: 11/5/07	DRAWN BY: AR	
HOIST TYPE: 'A' SINGLE HOOK		
DRAWING NO.: OPT-100		