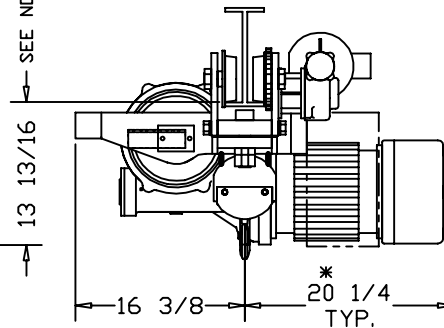


*ALLOW 6" CLEARANCE TO SERVICE BRAKE

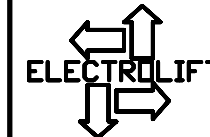


CUSTOMER:

REFERENCE NO.:

ELECTROLIFT AUTHORIZED DISTRIBUTOR:

	CATALOG #			
	LH100-SD	-	-	
SPEED (FPM):	25	-	-	
LIFT (FT):	15	-	-	
CAPACITY (LBS):	3000 LBS			
REEVING:	2 PART DOUBLE			
PRIMARY VOLTAGE:	460 or 230 (3 PH. STD)			
CONTROL VOLTAGE:	115 (STD)			
HOIST WEIGHT (LBS):	540			
HP:	4			
WHEEL LOADINGS (LBS PER WHEEL PAIR):				
	FULL UP		FULL DOWN	
LEFT SIDE	RIGHT SIDE	LEFT SIDE	RIGHT SIDE	
1591	974	1591	974	
HOOKBLOCK DRIFT AT FULL DOWN POSITION (IN.) (X):				NONE
HOIST NOTES:				
1. LARGER CONTROL BOXES MAY NEED TO BE RELOCATED				
2. TRACK WIDTH NOT TO EXCEED 4"				



ELECTROLIFT, INC.
204 SARGEANT AVE.
CLIFTON, NJ 07013
PH: 973-471-0204
FAX: 973-471-2814
www.electrolift.com

1	-	12/3/14	AR
REV.	ECO#	DATE	BY:
HOIST TYPE: "B" SINGLE HOOK			
CONFIGURATION: SIDE DRIVE TROLLEY			
DATE:	SCALE:	DWG SIZE:	DRAWN BY:
9/17/08	1:12	B	AR
CATALOG NO:		DRAWING NO:	
LH100-SD		B-179	