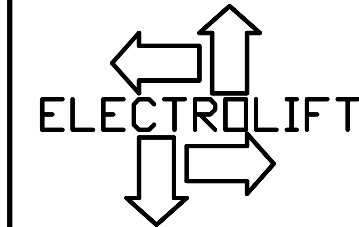
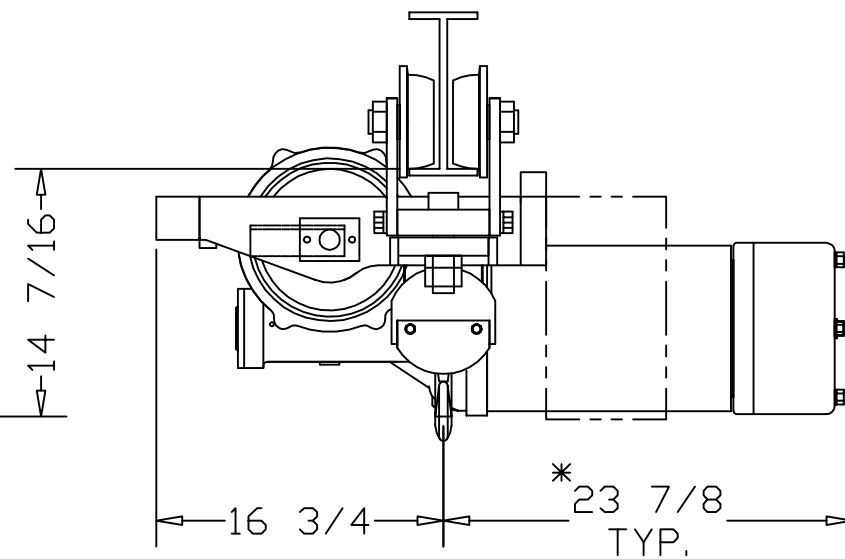
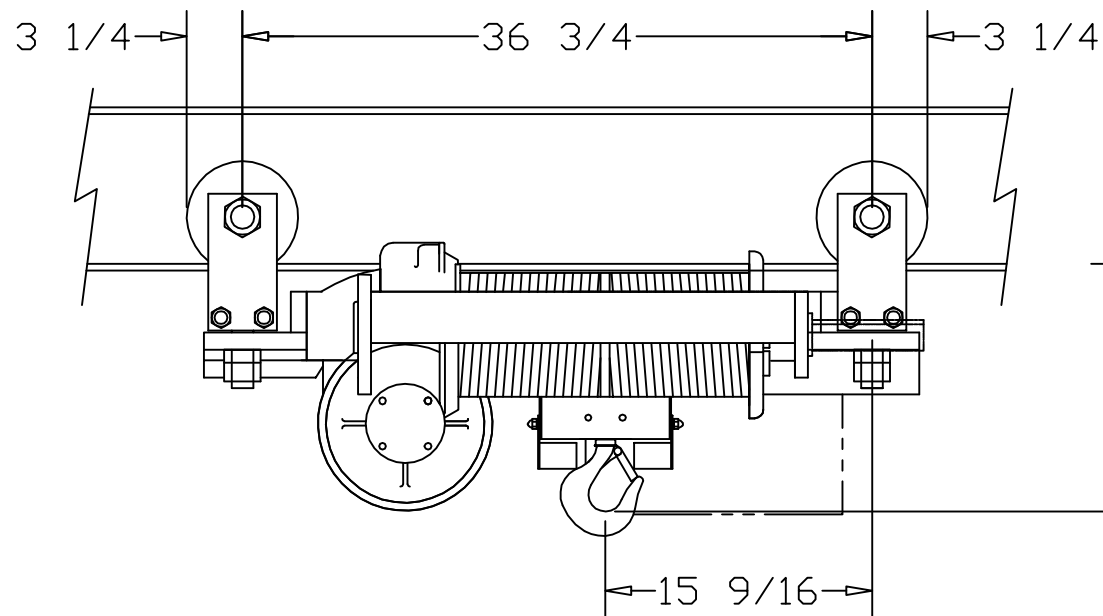


*ALLOW 6" CLEARANCE TO SERVICE BRAKE



ELECTROLIFT, INC.
 204 SARGEANT AVE.
 CLIFTON, NJ 07013
 PH: 973-471-0204
 FAX: 973-471-2814
 www.electrolift.com

	CATALOG #		
	LH102-PL	LH103-PL	-
SPEED (FPM):	16	25	-
LIFT (FT):	15	15	-
CAPACITY (LBS):	4000 LBS		
REEVING:	2 PART DOUBLE		
PRIMARY VOLTAGE:	460 or 230 (3 PH. STD)		
CONTROL VOLTAGE:	115 (STD)		
HOIST WEIGHT (LBS):	540		
HP:	4		

WHEEL LOADINGS (LBS PER WHEEL PAIR):			
FULL UP		FULL DOWN	
LEFT SIDE	RIGHT SIDE	LEFT SIDE	RIGHT SIDE
2032	2508	2032	2508

HOOKBLOCK DRIFT AT FULL DOWN POSITION (IN.) (X): NONE

- HOIST NOTES:
1. LARGER CONTROL BOXES MAY NEED TO BE RELOCATED
 2. TRACK WIDTH NOT TO EXCEED 4"

REV.	ECO#	DATE	BY:

HOIST TYPE: "BC" SINGLE HOOK

CONFIGURATION: PLAIN TROLLEY

DATE:	SCALE:	DWG SIZE:	DRAWN BY:
9/17/08	1:12	B	AR

CATALOG NO.:	DRAWING NO.:
LH102-PL LH103-PL	BC-202

CUSTOMER:

REFERENCE NO.:

ELECTROLIFT AUTHORIZED DISTRIBUTOR: