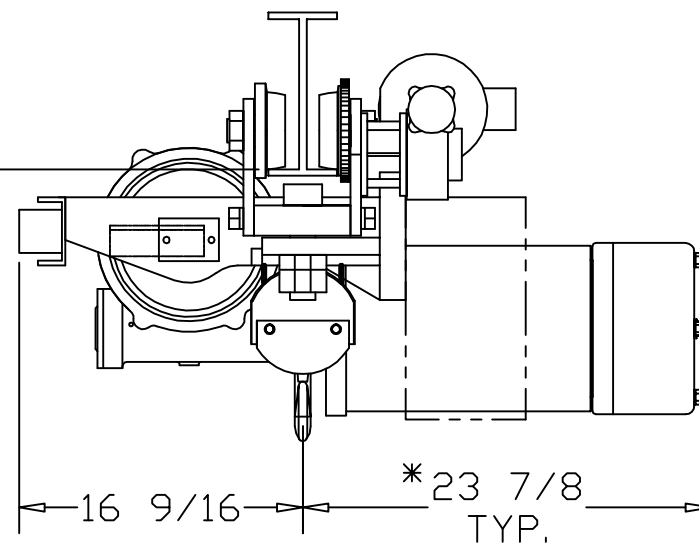


\*ALLOW 6" CLEARANCE TO SERVICE BRAKE

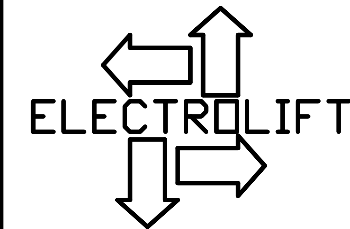


	CATALOG #		
	LH108-SD	LH109-SD	-
SPEED (FPM):	16	25	-
LIFT (FT):	31	31	-
CAPACITY (LBS):	4000 LBS		
REEVING:	2 PART DOUBLE		
PRIMARY VOLTAGE:	460 or 230 (3 PH. STD)		
CONTROL VOLTAGE:	115 (STD)		
HOIST WEIGHT (LBS):	640		
HP:	4		

WHEEL LOADINGS (LBS PER WHEEL PAIR):			
FULL UP		FULL DOWN	
LEFT SIDE	RIGHT SIDE	LEFT SIDE	RIGHT SIDE
2187	1227	2187	1227

HOOKBLOCK DRIFT AT FULL DOWN POSITION (IN.) (X): NONE

- HOIST NOTES:
- LARGER CONTROL BOXES MAY NEED TO BE RELOCATED
  - TRACK WIDTH NOT TO EXCEED 4"



ELECTROLIFT, INC.  
 204 SARGEANT AVE.  
 CLIFTON, NJ 07013  
 PH: 973-471-0204  
 FAX: 973-471-2814  
 www.electrolift.com

REV.	ECO#	DATE	BY:

HOIST TYPE: "BC" SINGLE HOOK

CONFIGURATION: SIDE DRIVE TROLLEY

DATE:	SCALE:	DWG SIZE:	DRAWN BY:
9/17/08	1:12	B	AR

CATALOG NO.:	DRAWING NO.:
LH108-SD LH109-SD	BC-211

CUSTOMER:

ELECTROLIFT AUTHORIZED DISTRIBUTOR:

REFERENCE NO.: