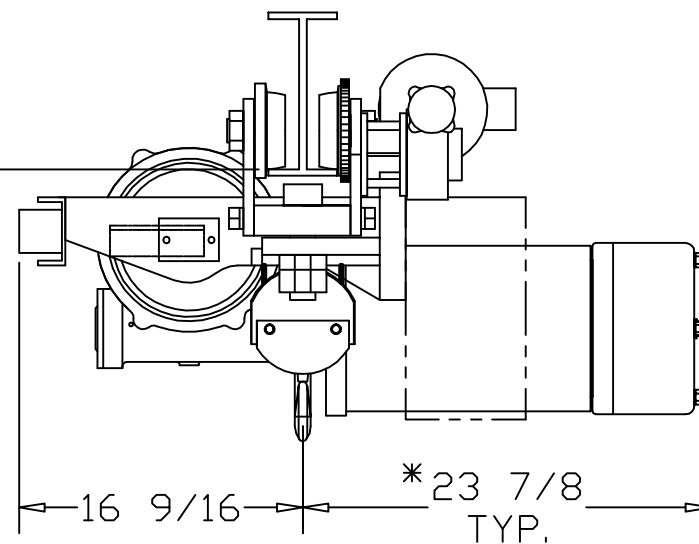
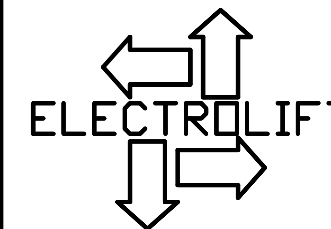


*ALLOW 6" CLEARANCE TO SERVICE BRAKE



	CATALOG #			
	LH110-SD	-	-	
SPEED (FPM):	16	-	-	
LIFT (FT):	31	-	-	
CAPACITY (LBS):	6000 LBS			
REEVING:	2 PART DOUBLE			
PRIMARY VOLTAGE:	460 or 230 (3 PH. STD)			
CONTROL VOLTAGE:	115 (STD)			
HOIST WEIGHT (LBS):	640			
HP:	5			
WHEEL LOADINGS (LBS PER WHEEL PAIR):				
	FULL UP		FULL DOWN	
	LEFT SIDE	RIGHT SIDE	LEFT SIDE	RIGHT SIDE
	3069	3571	3069	3571
HOOKBLOCK DRIFT AT FULL DOWN POSITION (IN.) (X):				NONE
HOIST NOTES:				
1. LARGER CONTROL BOXES MAY NEED TO BE RELOCATED				
2. TRACK WIDTH NOT TO EXCEED 4"				



ELECTROLIFT, INC.
 204 SARGEANT AVE.
 CLIFTON, NJ 07013
 PH: 973-471-0204
 FAX: 973-471-2814
 www.electrolift.com

REV.	ECO#	DATE	BY:

HOIST TYPE: "BC" SINGLE HOOK

CONFIGURATION: SIDE DRIVE TROLLEY

DATE:	SCALE:	DWG SIZE:	DRAWN BY:
9/17/08	1:12	B	AR

CATALOG NO.:	DRAWING NO.:
LH110-SD	BC-213

CUSTOMER:

REFERENCE NO.:

ELECTROLIFT AUTHORIZED DISTRIBUTOR: