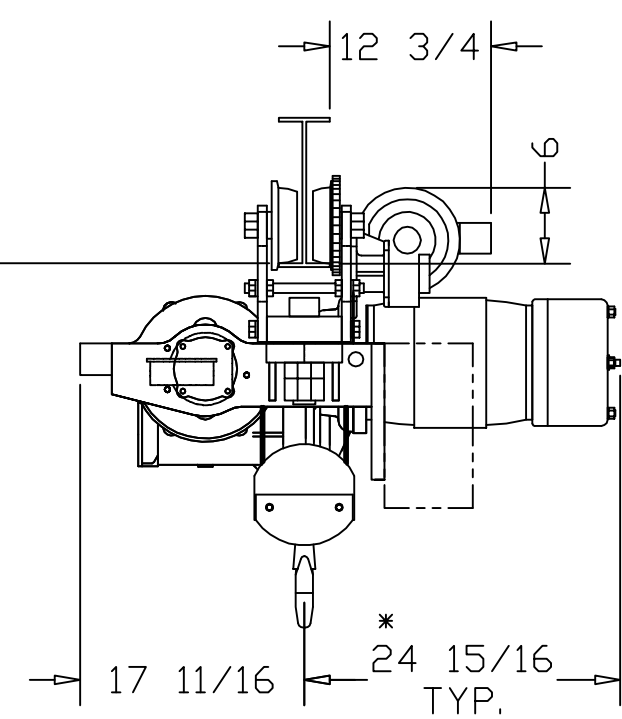


*ALLOW 6" CLEARANCE TO SERVICE BRAKE



	CATALOG #		
	LH111-SD	-	-
SPEED (FPM):	15	-	-
LIFT (FT):	10	-	-
CAPACITY (LBS):	10000 LBS		
REEVING:	4 PART SINGLE		
PRIMARY VOLTAGE:	460 or 230 (3 PH. STD)		
CONTROL VOLTAGE:	115 (STD)		
HOIST WEIGHT (LBS):	1000		
HP:	6-1/2		
WHEEL LOADINGS (LBS PER WHEEL PAIR):			
FULL UP		FULL DOWN	
LEFT SIDE	RIGHT SIDE	LEFT SIDE	RIGHT SIDE
2940	4030	3703	3649
HOOKBLOCK DRIFT AT FULL DOWN POSITION (IN.) (X): 2-7/8			

HOIST NOTES:
 1. LARGER CONTROL BOXES MAY NEED TO BE RELOCATED
 2. FOR 3.25" AND 3.33' PATENTED TRACK, 24" AVAILABLE. CONTACT SALES DEPT. FOR MORE INFORMATION

ELECTROLIFT, INC.
 204 SARGEANT AVE.
 CLIFTON, NJ 07013
 PH: 973-471-0204
 FAX: 973-471-2814
 www.electrolift.com

3	-	12/16/13	AR
2	-	10/12/11	AR
1	-	3/1/11	AR
REV.	ECO#	DATE	BY:

HOIST TYPE: "C" SINGLE HOOK

CONFIGURATION: SIDE DRIVE TROLLEY

CUSTOMER:

REFERENCE NO.:

ELECTROLIFT AUTHORIZED DISTRIBUTOR:

DATE: 9/19/08	SCALE: 1:16	DWG SIZE: B	DRAWN BY: AR
CATALOG NO.: LH111-SD		DRAWING NO.: C-151	