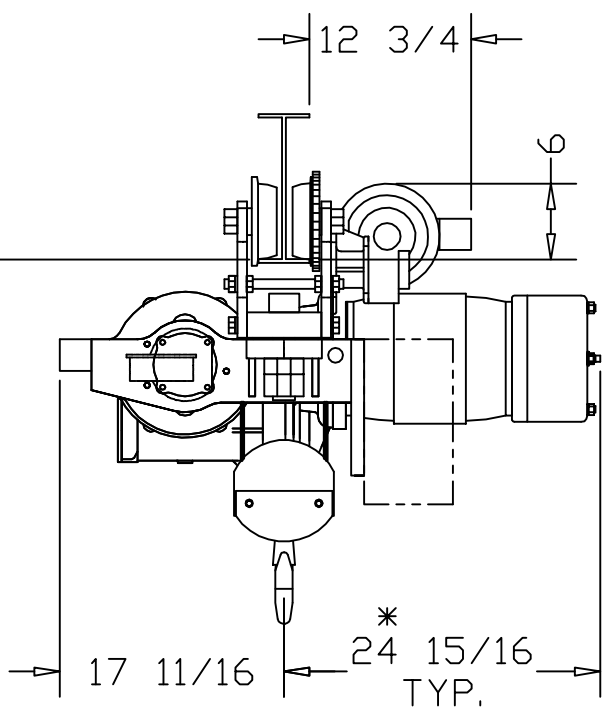


\*ALLOW 6" CLEARANCE TO SERVICE BRAKE



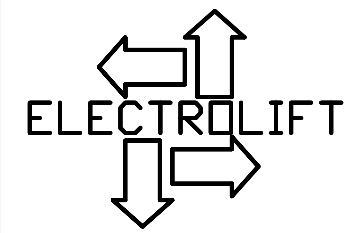
|  | CATALOG # |   |   |
|--|-----------|---|---|
|  | LH113-SD  | - | - |

|                     |                        |   |   |
|---------------------|------------------------|---|---|
| SPEED (FPM):        | 15                     | - | - |
| LIFT (FT):          | 32                     | - | - |
| CAPACITY (LBS):     | 10000 LBS              |   |   |
| REEVING:            | 4 PART SINGLE          |   |   |
| PRIMARY VOLTAGE:    | 460 or 230 (3 PH. STD) |   |   |
| CONTROL VOLTAGE:    | 115 (STD)              |   |   |
| HOIST WEIGHT (LBS): | 1190                   |   |   |
| HP:                 | 6-1/2                  |   |   |

| WHEEL LOADINGS (LBS PER WHEEL PAIR): |            |           |            |
|--------------------------------------|------------|-----------|------------|
| FULL UP                              |            | FULL DOWN |            |
| LEFT SIDE                            | RIGHT SIDE | LEFT SIDE | RIGHT SIDE |
| 2354                                 | 4418       | 3715      | 3738       |

|  |       |
|--|-------|
| HOOKBLOCK DRIFT AT FULL DOWN POSITION (IN.) (X): | 7-3/4 |
|--|-------|

HOIST NOTES:  
 1. LARGER CONTROL BOXES MAY NEED TO BE RELOCATED  
 2. FOR 3.25" AND 3.33' PATENTED TRACK, 24" AVAILABLE. CONTACT SALES DEPT. FOR MORE INFORMATION



ELECTROLIFT, INC.  
 204 SARGEANT AVE.  
 CLIFTON, NJ 07013  
 PH: 973-471-0204  
 FAX: 973-471-2814  
 www.electrolift.com

| 3    | -    | 12/16/13 | AR  |
|------|------|----------|-----|
| 2    | -    | 10/12/11 | AR  |
| 1    | -    | 3/1/11   | AR  |
| REV. | ECO# | DATE     | BY: |

HOIST TYPE: "C" SINGLE HOOK

CONFIGURATION: SIDE DRIVE TROLLEY

CUSTOMER:  
  
REFERENCE NO.:

ELECTROLIFT AUTHORIZED DISTRIBUTOR:

|         |        |           |           |
|---------|--------|-----------|-----------|
| DATE:   | SCALE: | DWG SIZE: | DRAWN BY: |
| 9/19/08 | 1:16   | B         | AR        |

|              |              |
|--------------|--------------|
| CATALOG NO.: | DRAWING NO.: |
| LH113-SD     | C-153        |