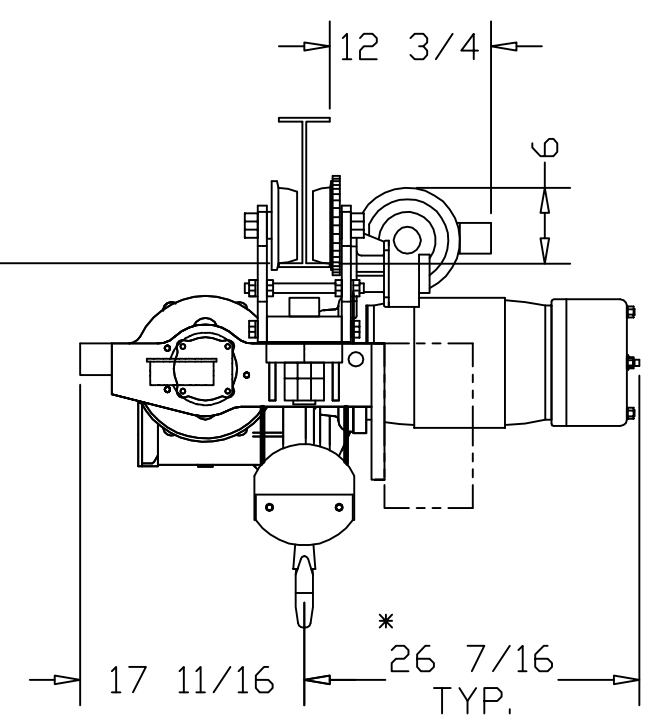


\*ALLOW 6" CLEARANCE TO SERVICE BRAKE



	CATALOG #			
	LH114-SD	-	-	
SPEED (FPM):	10	-	-	
LIFT (FT):	10	-	-	
CAPACITY (LBS):	15000 LBS			
REEVING:	4 PART SINGLE			
PRIMARY VOLTAGE:	460 or 230 (3 PH. STD)			
CONTROL VOLTAGE:	115 (STD)			
HOIST WEIGHT (LBS):	1100			
HP:	7-1/2			
WHEEL LOADINGS (LBS PER WHEEL PAIR):				
	FULL UP		FULL DOWN	
	LEFT SIDE	RIGHT SIDE	LEFT SIDE	RIGHT SIDE
	4158	5971	5304	5398
HOOKBLOCK DRIFT AT FULL DOWN POSITION (IN.) (X):				2-7/8

HOIST NOTES:  
 1. LARGER CONTROL BOXES MAY NEED TO BE RELOCATED  
 2. FOR 3.25" AND 3.33' PATENTED TRACK, 24" AVAILABLE. CONTACT SALES DEPT. FOR MORE INFORMATION

ELECTROLIFT, INC.  
 204 SARGEANT AVE.  
 CLIFTON, NJ 07013  
 PH: 973-471-0204  
 FAX: 973-471-2814  
 www.electrolift.com

2	-	12/16/13	AR
1	-	3/1/11	AR
REV.	ECO#	DATE	BY:

HOIST TYPE: "C" SINGLE HOOK

CONFIGURATION: SIDE DRIVE TROLLEY

CUSTOMER:  
  
REFERENCE NO.:

ELECTROLIFT AUTHORIZED DISTRIBUTOR:

DATE:	SCALE:	DWG SIZE:	DRAWN BY:
10/14/08	1:16	B	AR
CATALOG NO.:		DRAWING NO.:	
LH114-SD		C-154	