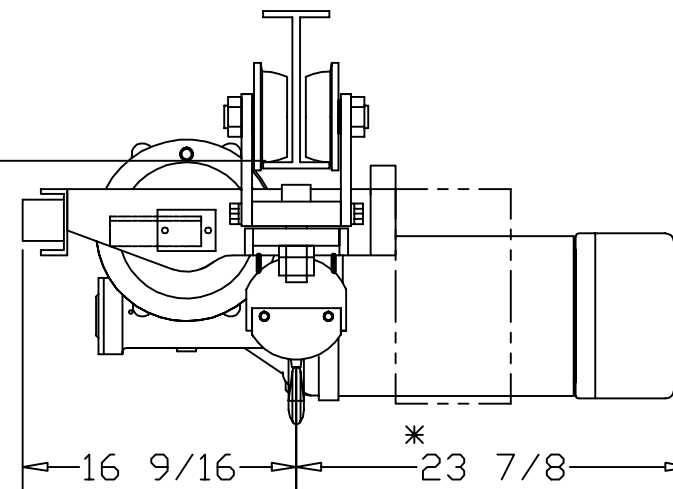
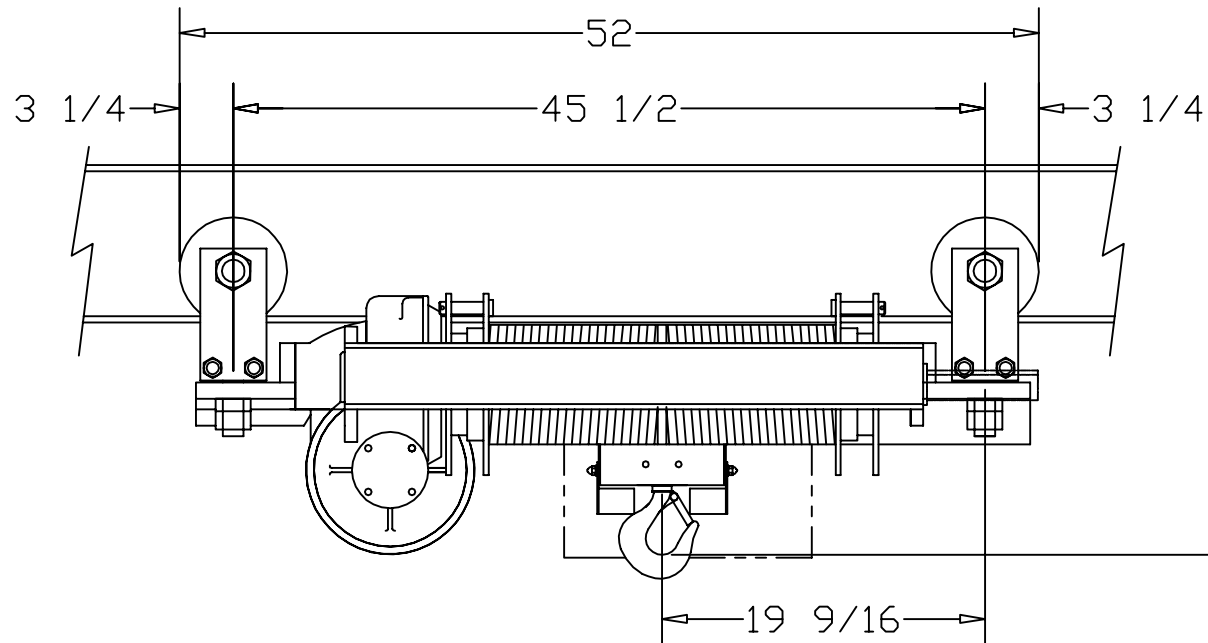
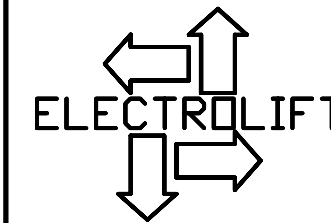


\*ALLOW 6" CLEARANCE  
TO SERVICE BRAKE



	CATALOG #		
	LH107-PL	-	-
SPEED (FPM):	16	-	-
LIFT (FT):	21	-	-
CAPACITY (LBS):	6000 LBS		
REEVING:	2 PART DOUBLE		
PRIMARY VOLTAGE:	460 or 230 (3 PH. STD)		
CONTROL VOLTAGE:	115 (STD)		
HOIST WEIGHT (LBS):	550		
HP:	5		
WHEEL LOADINGS (LBS PER WHEEL PAIR):			
FULL UP		FULL DOWN	
LEFT SIDE	RIGHT SIDE	LEFT SIDE	RIGHT SIDE
2944	3606	2944	3606
HOOKBLOCK DRIFT AT FULL DOWN POSITION (IN.) (X): NONE			
HOIST NOTES:			
1. LARGER CONTROL BOXES MAY NEED TO BE RELOCATED			
2. TRACK WIDTH NOT TO EXCEED 4"			



ELECTROLIFT, INC.  
204 SARGEANT AVE.  
CLIFTON, NJ 07013  
PH: 973-471-0204  
FAX: 973-471-2814  
www.electrolift.com

1		8/22/14	AR
REV.	ECO#	DATE	BY:

HOIST TYPE: "BC" SINGLE HOOK

CONFIGURATION: PLAIN TROLLEY

CUSTOMER:  
  
REFERENCE NO.:

ELECTROLIFT AUTHORIZED DISTRIBUTOR:

DATE:	SCALE:	DWG SIZE:	DRAWN BY:
9/17/08	1:12	B	AR

CATALOG NO.:	DRAWING NO.:
LH107-PL	BC-208