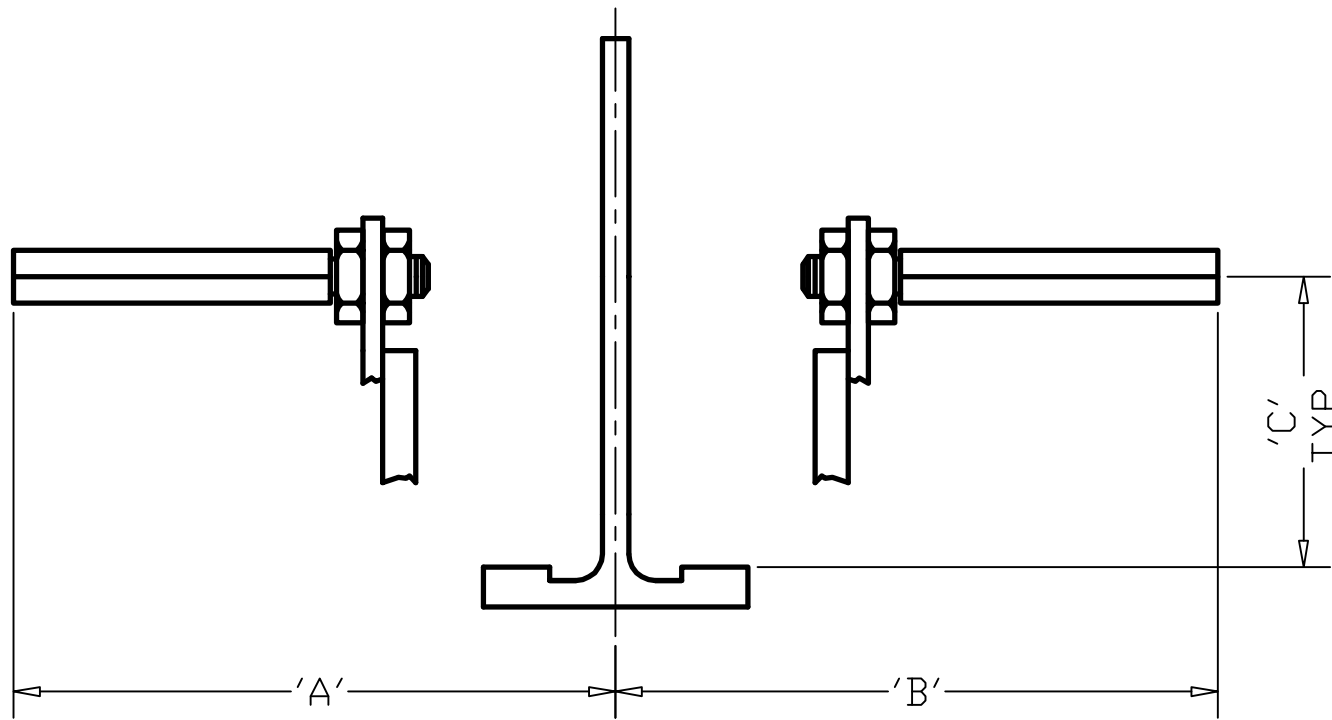


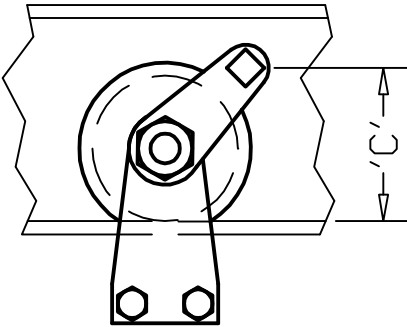
ISSUE 1
3/11/75

ISSUE 2
12/15/00

ISSUE 3
2/22/05,AR
REDRAWN



'A' = _____
'B' = _____
'C' = _____
'D' = _____



TOLERANCES		SKETCH OF COLLECTOR SPACING ON FLAT FLANGE TRACK			
UNLESS SPECIFIED		DRAWN BY	DATE	MAT'L	SCALE
FRACTIONAL = $\pm 1/16$		AR	2/22/05	HRS	N.T.S.
X.XX = ± 0.01		ELECTRO LIFT INC.		K-3282-A	
X.XXX = ± 0.005		204 SARGEANT AVE			
X.XXXX = ± 0.0005		CLIFTON N.J.			